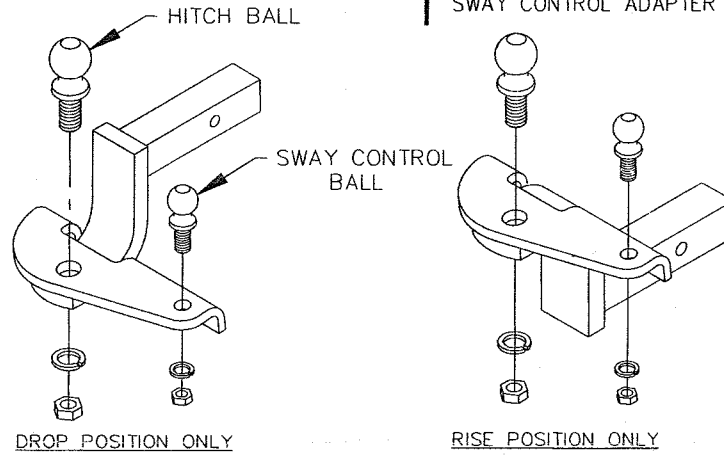


INSTALLATION INSTRUCTIONS

©2002 Towing Products

3-11-02

DESCRIPTION	PART NO.
SWAY CONTROL ADAPTER BRACKET	26003/26005



1. POSITION ADAPTER BRACKET ON TOP SURFACE OF BALL PLATFORM WITH LEGS POINTING DOWN TO PREVENT ROTATION OF ADAPTER PLATE.
2. ASSEMBLE HITCH BALL THRU ADAPTER BRACKET AND BALL MOUNT PLATFORM. TIGHTEN HITCH AND SWAY CONTROL BALLS PER MANUFACTURER'S SPECIFICATION. THREADED SHANKS MUST PROTRUDE BEYOND BOTTOM OF NUT WHEN TIGHTENED. IF IT DOES NOT, BALL SHANK IS TOO SHORT FOR THE APPLICATION AND LOSS OF ATTACHMENT MAY OCCUR.
3. BEFORE EVERY TOW MAKE SURE HITCH BALL & SWAY CONTROL BALL NUTS ARE TIGHTENED SECURELY.

TOWING PRODUCTS

Canton, Michigan
Elkhart, Indiana

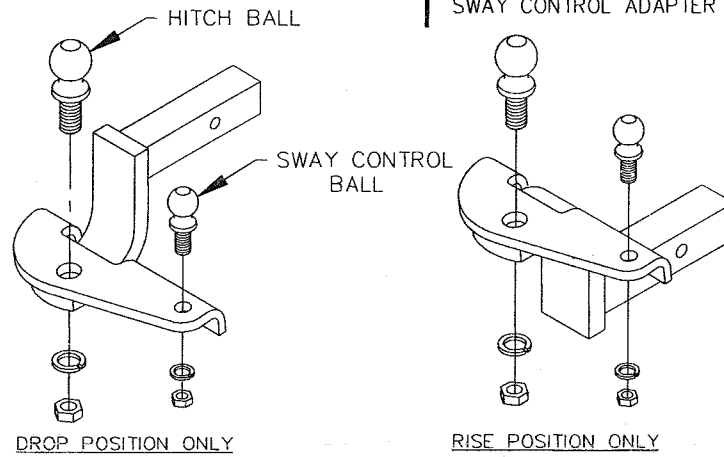
TIGHTEN ALL FASTENERS WITH TORQUE WRENCH

INSTALLATION INSTRUCTIONS

©2002 Towing Products

3-11-02

DESCRIPTION	PART NO.
SWAY CONTROL ADAPTER BRACKET	26003/26005



1. POSITION ADAPTER BRACKET ON TOP SURFACE OF BALL PLATFORM WITH LEGS POINTING DOWN TO PREVENT ROTATION OF ADAPTER PLATE.
2. ASSEMBLE HITCH BALL THRU ADAPTER BRACKET AND BALL MOUNT PLATFORM. TIGHTEN HITCH AND SWAY CONTROL BALLS PER MANUFACTURER'S SPECIFICATION. THREADED SHANKS MUST PROTRUDE BEYOND BOTTOM OF NUT WHEN TIGHTENED. IF IT DOES NOT, BALL SHANK IS TOO SHORT FOR THE APPLICATION AND LOSS OF ATTACHMENT MAY OCCUR.
3. BEFORE EVERY TOW MAKE SURE HITCH BALL & SWAY CONTROL BALL NUTS ARE TIGHTENED SECURELY.

TOWING PRODUCTS

Canton, Michigan
Elkhart, Indiana

TIGHTEN ALL FASTENERS WITH TORQUE WRENCH