



Assembly, Installation, Operation and Maintenance Instructions

Kit, Base Rail Bracket Part # 31852

Dealer / Installer:	Provide a copy of these instructions to the end user of this product. These instructions provide important operating and safety information for proper usage of this product. Demonstrate the proper use of the product with the end user. Have the end user demonstrate that they understand the proper use of the product.
End User:	Read and follow all instructions included in this manual. Ask your Dealer / Installer for assistance if you do not understand the proper use of the product. Never remove any decals from the product.

APPLICATION:

2011 to 2013 Chevrolet & GMC Silverado & Sierra 2500 & 3500 HD Pick-ups

Note: This bracket kit is to be used with the 31323 Bed Rail Kit.

Complete Parts List			
ITEM NO.	Description	QTY.	
1	DRIVER SIDE BRACKET	1	
2	PASSENGER SIDE BRACKET	1	
3	5/8"-11 X 3" GRADE 5 HEX HEAD BOLT, BLACK	4	
4	Ø5/8" X Ø1-3/4" FLAT WASHER, BLACK	4	
5	Ø5/8" x Ø1.079" LOCK WASHER, BLACK	4	
6	PULL WIRE FOR 5/8-11 THREADED BOLT	1	
7	Ø5/8 ID X Ø1-3/4" FLAT WASHER, CLEAR	4	
8	Ø5/8" x Ø1.079" LOCK WASHER, CLEAR	4	Tools Required
9	5/8" -11 GRADE 5 HEX NUT, CLEAR	4	3/4" Socket & Wrench
10	5/8"-11 BOLT AND ANTI-ROTATION PLATE	4	15/16" Socket & Wrench
11	SPACER PLATE	4	5/8" Drill Bit
12	3/4" SPACER BLOCK	4	Torque Wrench
13	5/8" -11 TAPPED PLATE	4	Safety Glasses

CAUTION: Do not install mounting rails over plastic bed liners. Plastic bed liners must be cut out of the way. Rails may be installed on spray liners.

NOTE: Consult spray liner installer for recommended curing time before rail installation.

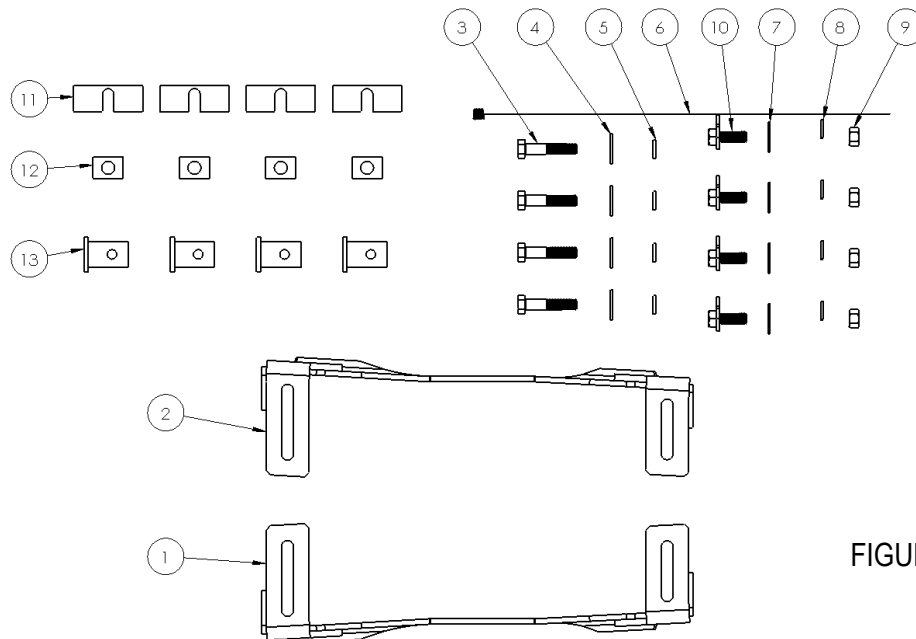
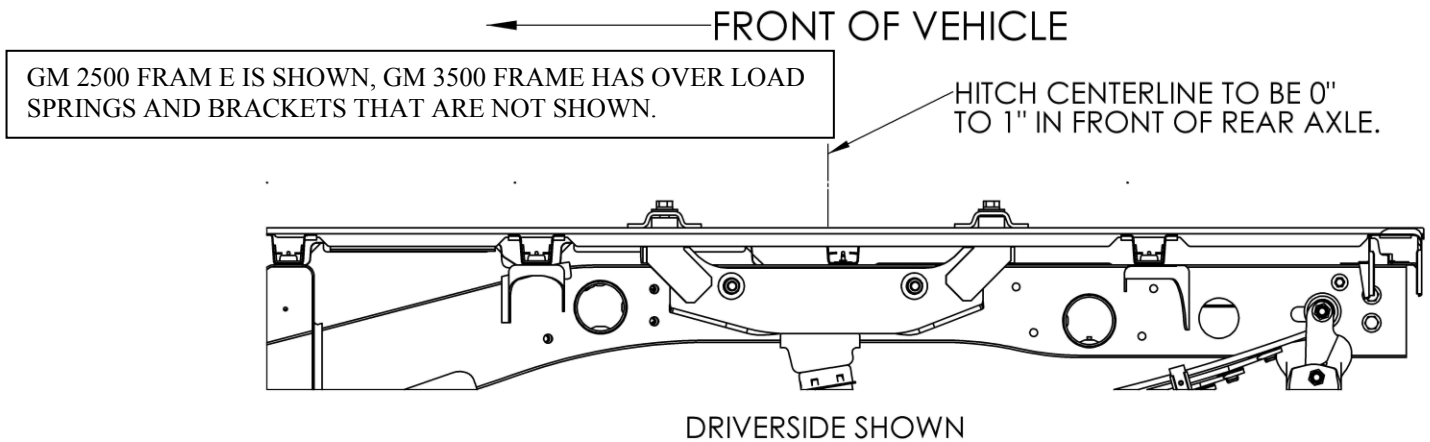
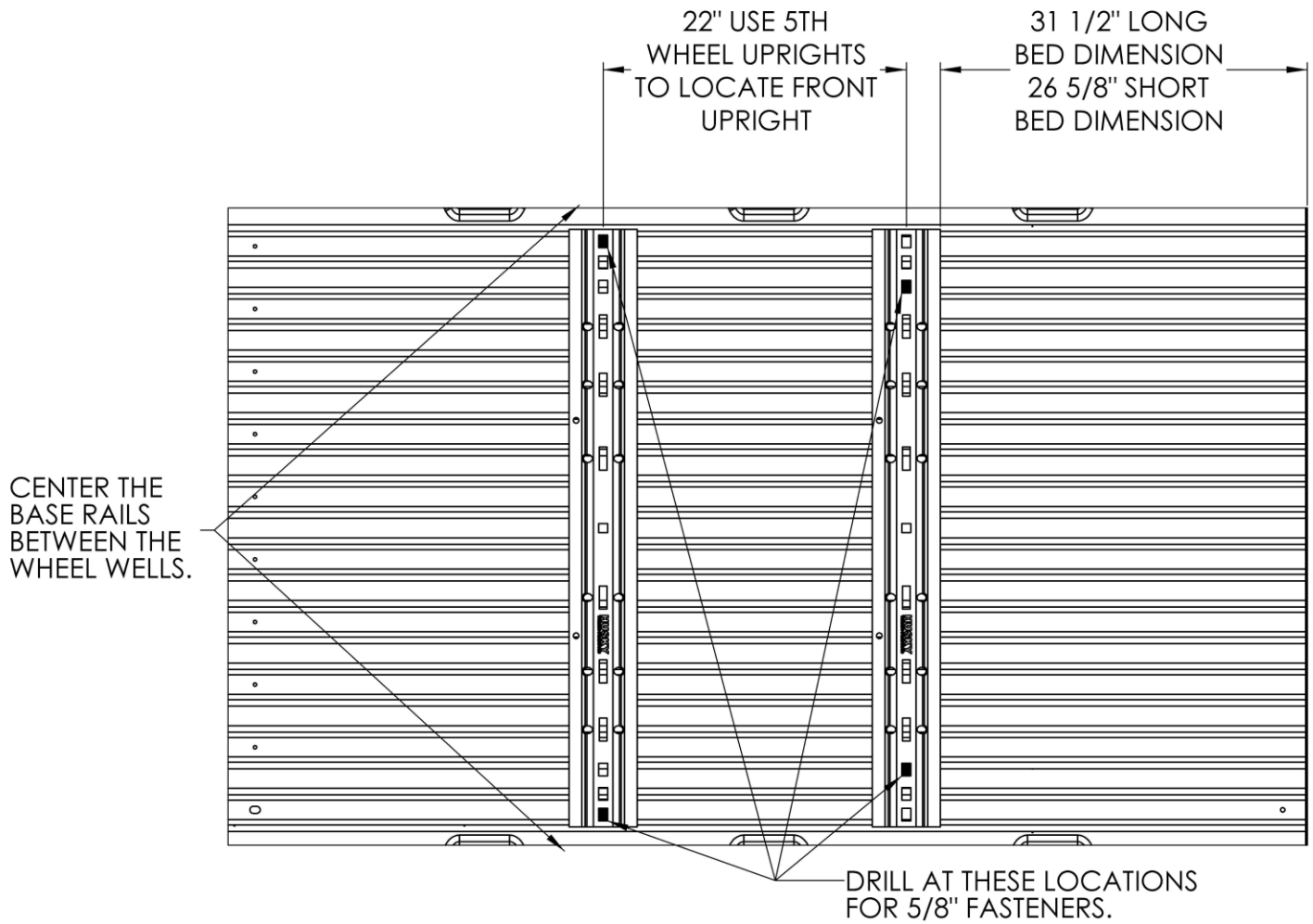
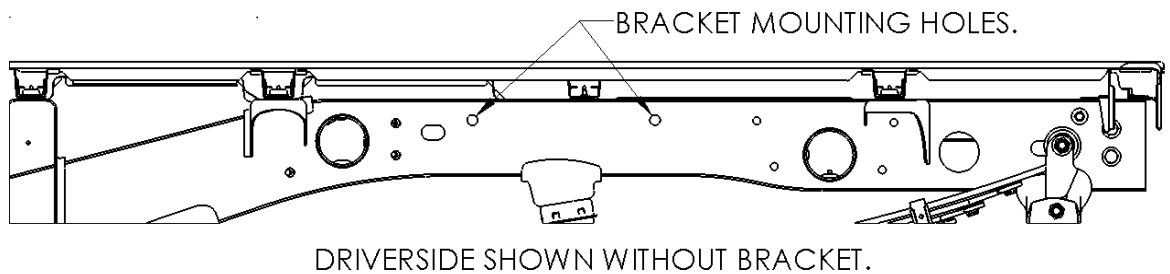


FIGURE 1



NOTE: Check cab clearance requirements before installing the hitch. The distance from the cab to the hitch centerline is approximately 56" for 8' long beds and 43" for 6.5' long beds.

Figure 1



1. Place the two bed rails across the truck bed between the wheel wells. Position the 5th wheel uprights between the bed rails so that the tabs in the base of each upright will fit into the slots in the ends of the bed rails. Secure the uprights in place with the rail hitch pins and hair pins supplied with the 5th wheel installation kit. Securely attach 5th wheel cross member to uprights.
2. Position the bed rail assembly in truck bed as shown in Figure 2. When hitch is correctly positioned in the bed and the bed rails are parallel, mark four attachment points on the truck bed using the 5/8" square holes indicated on the layout in Figure 2. Check below the bed before drilling holes to see that all wiring, brake lines or other obstructions are moved out of the way and will not be contacted by the drill. Move the hitch assembly out of the way and drill four 5/8" diameter attachment holes down through the bed at the previously marked points.
3. Reposition the bed rails in the bed so that the square 5/8" hole in the end of each rail is lined up over the drilled holes. Place item #12 (3/4" spacer block) under ends of each bed rail, in line with the drilled holes as shown on Figure 3.

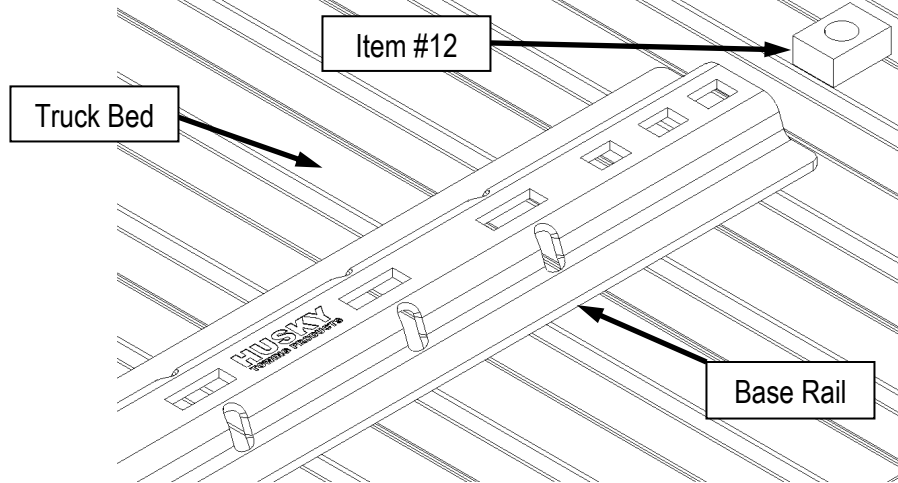


Figure 2

4. If the bed corrugation above the frame is UP, leaving a space above the frame bracket, place item #11 (spacer plate) in the bed, under the base rail as shown on Figure 4.

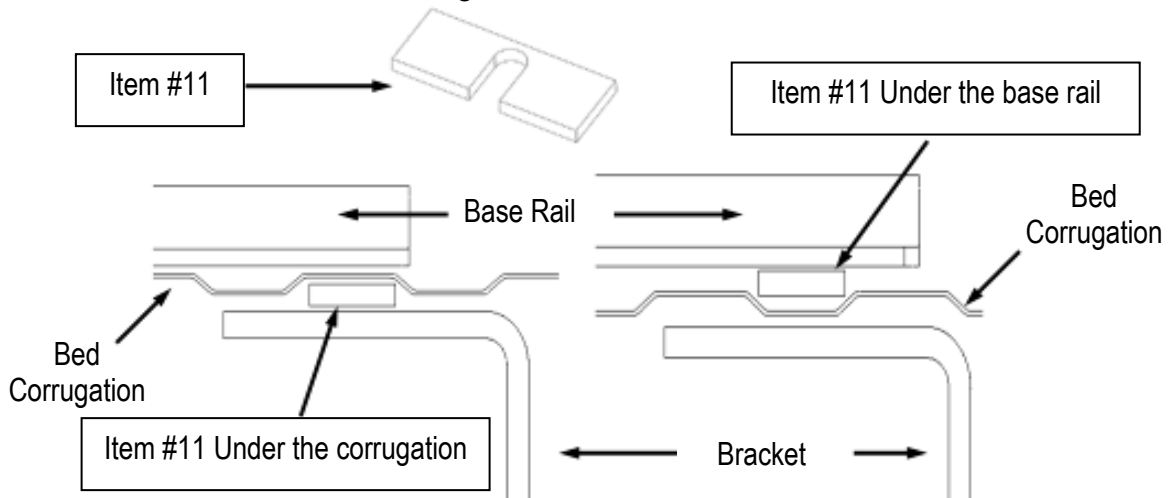


Figure 3

5. If wheel well is lined with a plastic liner that covers the frame, then cut out enough of the liner to expose the frame for bracket installation.
6. Place item #5 (lock washer) and item #4 (flat washer) onto item #3 (5/8" hex bolt) and then insert into 4 drilled holes through the base rails.

- Position item #1 (DS frame bracket) and item #2 (PS frame bracket) up against the outer surface of the truck frame with the mounting tabs positioned over the frame and under the bed and align slots in brackets to 5/8" hex bolts that were installed in step 6. Brackets are marked with a DS for driver side or PS for passenger side to ensure brackets are placed on the correct side of the frame. Thread item #13 (Plate, Long 5/8-11 Tapped) onto end of item #3 (5/8-11 Hex Head Bolt) loosely for now on all 4 hex bolts. See Figure 5.

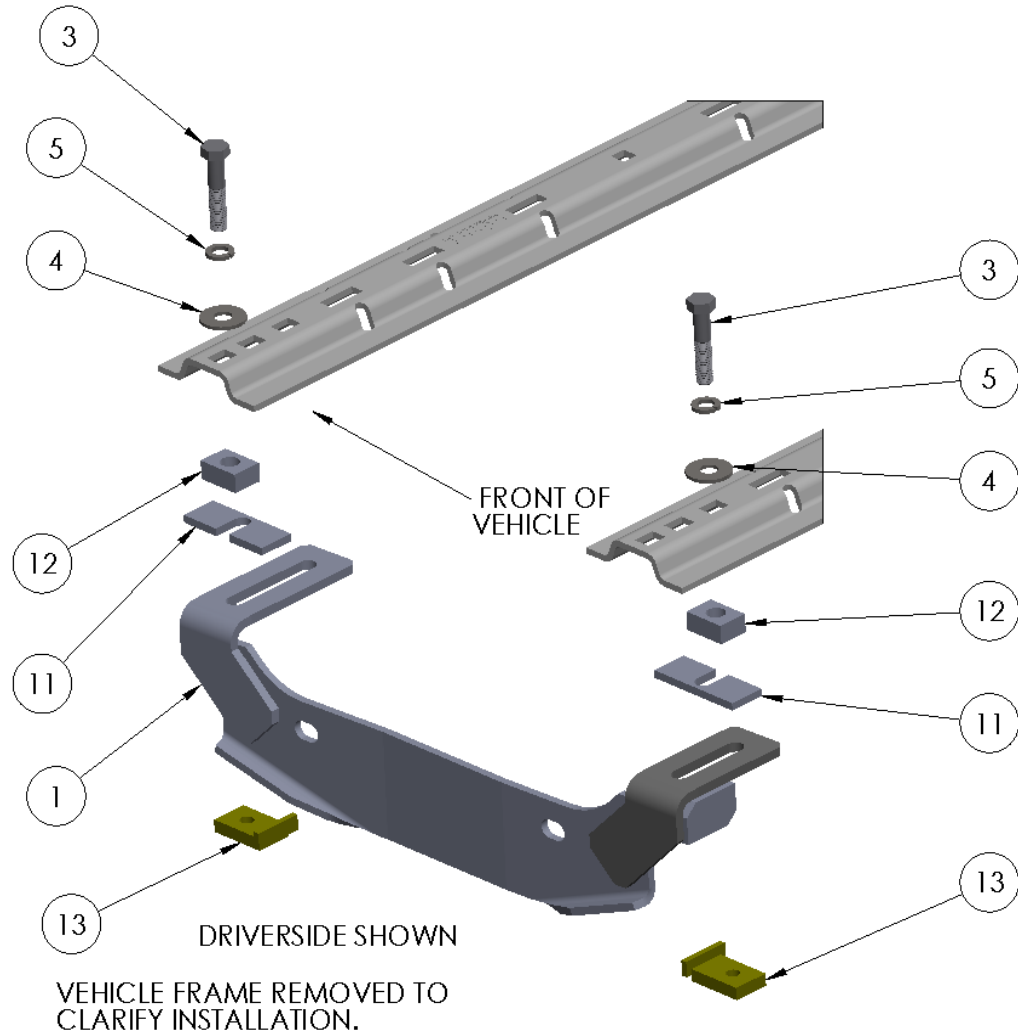
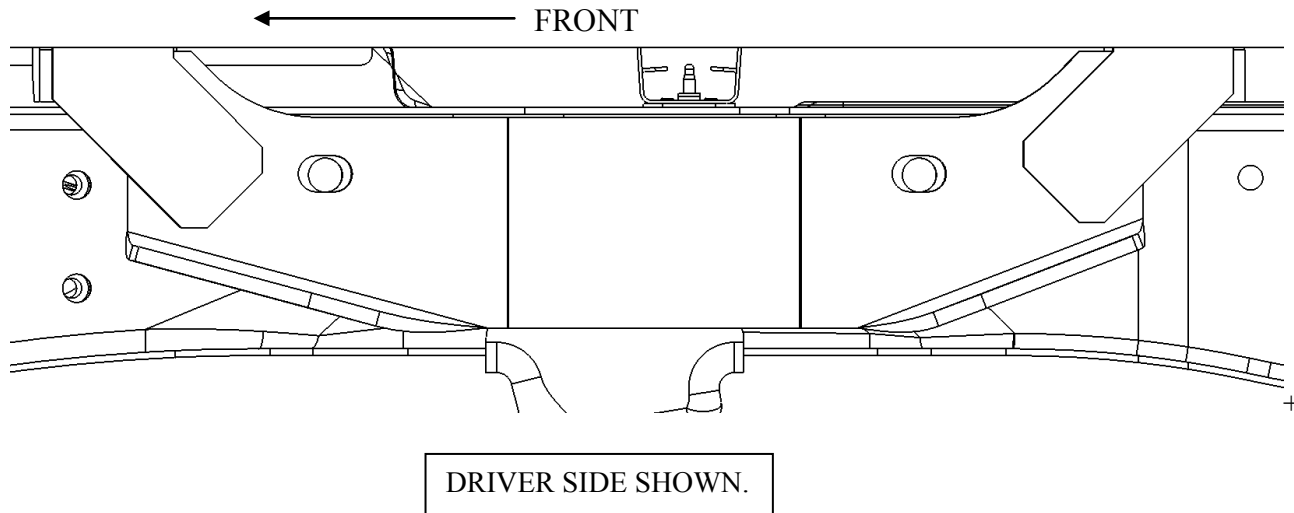
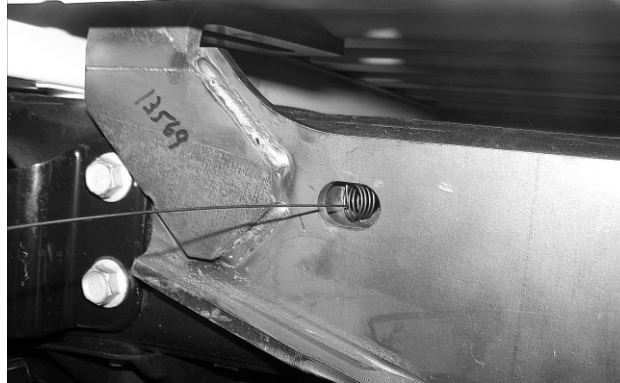


Figure 4

- Brackets should rest in place while proceeding to next step.



9. Install item #10 (5/8 bolt and anti-rotation plate), item #7 (5/8 flat washer), item #8 (lock washer), item #9 (5/8 hex nut) as follows:



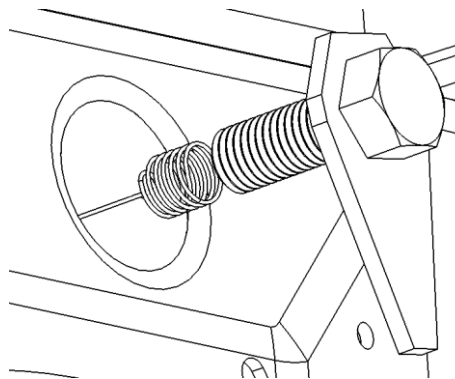
Insert pull wire through slot in bracket.



Guide pull wire coils through hole on inside of frame.



Bend end of pull wire to prevent from going through slot in bracket and hole in frame.



Thread item #10 (bolt and anti-rotation plate) into item #6 (pull wire). Then pull other end of pull wire gently while guiding bolt and anti-rotation plate through hole on inside of frame.



Continue to retrieve pull wire until bolt appears through slot in bracket, carefully un-thread pull wire from bolt and place item #7 (flat washer), #8 (lock washer) and #9 (5/8 hex nut) on bolt and finger tighten only at this time.

10. Repeat step 9 for the remaining slot in the driver side bracket and also for the passenger side bracket.
11. Torque base rail bolts first and then the nuts that hold the brackets to the frame to 150 pound-foot.
12. Check each rail hitch pin for freedom of movement in the bed rail connection before tightening the 5/8" bolts and nuts. Adjust uprights, if necessary, by placing shim 30703 between the upright and the cross member to obtain free pin movement. See Figure 6.

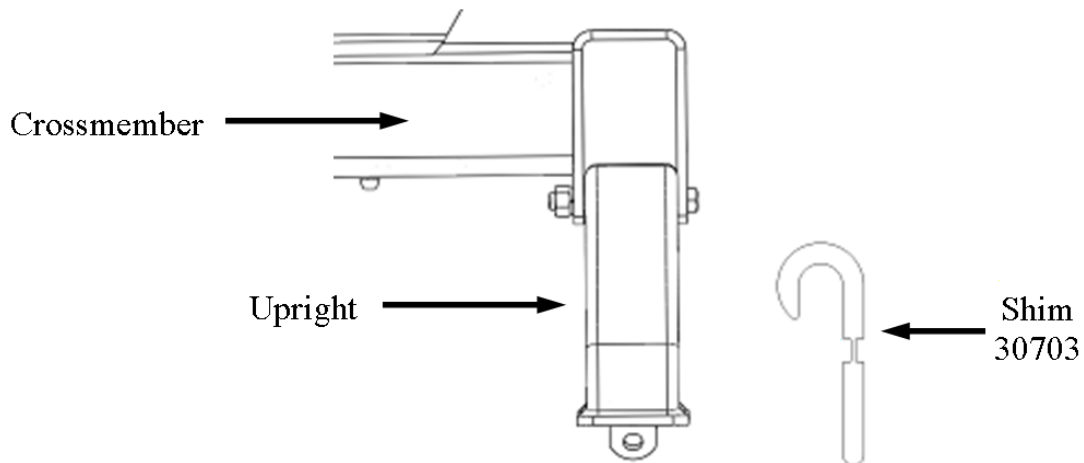


Figure 5