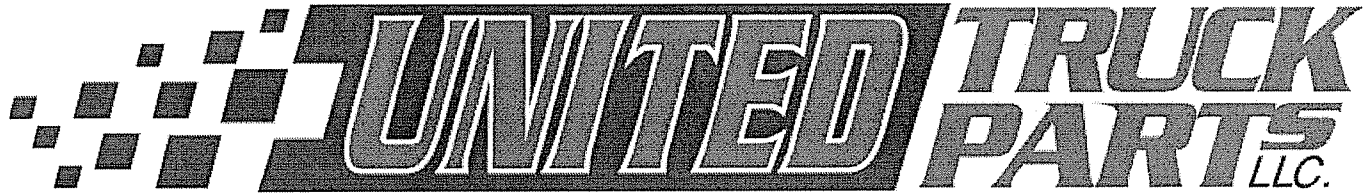


# QUIC-CUSH'N<sup>II</sup>

BY:

 **UNITED TRUCK PARTS** LLC.



# Operator's Manual

TO THE OWNER

DMI has built performance, features, reliability and long life into the Quic-Cush'n 2 bumper. The Quic-Cush'n 2 bumper is designed for today's lighter, fuel efficient pickup trucks. As truck weights have become lighter, tow loads have become heavier. DMI and United Truck Parts urge you to read and understand this manual. It is your responsibility to operate and service this product properly to fully realize all the built-in benefits and features.

The Quic-Cush'n 2 "load-spread feature" distributes the tow load over a larger area of the truck frame than other makes, thus reducing the torquing stress on the truck frame members. Moreover, this torquing stress is greatly magnified by bumpers with extendable hitches. When the hitch is telescoped out and a heavy tongue load is exerted, there is a significant amount of stress on the truck frame, bumper brackets and bumper hitch. If the bumper is not equipped to spread the load over a large area, then the bumper will become tilted. This is especially important on today's trucks where demands for greater fuel economy have produced lighter trucks with lighter truck frames. This bumper complies with all safety specifications and requirements for trailering systems.

# SAFETY PRECAUTIONS



**WARNING:** FAILURE TO FOLLOW APPROPRIATE SAFETY PRECAUTIONS, SUCH AS THOSE OUTLINED HEREIN, MAY RESULT IN ACCELERATED BUMPER WEAR OR THE CREATION OF HAZARDOUS CONDITIONS WHICH COULD CAUSE SERIOUS INJURY OR FATALITY.

1. Do not exceed truck manufacturer's towing specifications.
2. Comply with all trailering regulations such as safety chains, lights, brakes, weight distribution, etc.
3. Check all mounting bolts periodically. Torque per specifications in manual.
4. Bumper support bracket at front of bumper frame **MUST** always contact frame.
5. Do not modify bumper or mounting brackets
6. Bumper should only be used by persons familiar with its function, operators manual, and safety regulations.
7. Never stand between trailer and towing vehicle while vehicle is in motion.
8. Keep fingers out of towbar slot area and hole in towbar when moving or stowing towbar.
9. Be sure that the towbar pin is engaged before transporting.
10. On trailers with clevis type hitches use the largest diameter hitch pin possible with a retaining device to lock pin in place.



## **CAUTION:**

- BE SURE TOWBAR IS ENGAGED BEFORE TRANSPORTING
- NEVER STAND BETWEEN TRAILER AND TOWING VEHICLE WHILE VEHICLE IS IN MOTION.

## HOOK-UP PROCEDURE

1. Attach and secure trailer hitch to towbar.
    - Pull handle of left to swing towbar side to side
    - Pull handle on right to extend towbar rearward or forward
  2. Trailers without jack:
    - Slowly back up to engage towbar pin.
    - Slowly pull forward to center towbar.
- Trailers with jack:
- Leave tongue supported by jack.
  - Slowly back up to engage towbar pin.
  - Raise jack to transport position.
  - Slowly pull forward to center towbar.



**CAUTION:** KEEP FINGERS OUT OF TOWBAR SLOT AREA AND HOLE IN TOWBAR WHEN MOVING OR STOWING TOWBAR

## MAINTENANCE

Bumper safety maintenance must be conducted periodically to look for worn, missing, broken, or loose parts. These parts affect the operation, function, and safety of the bumper. They could result in unsatisfactory performance, trailering (swaying of trailer or jack-knifing of truck), and possible dangerous or fatal conditions.

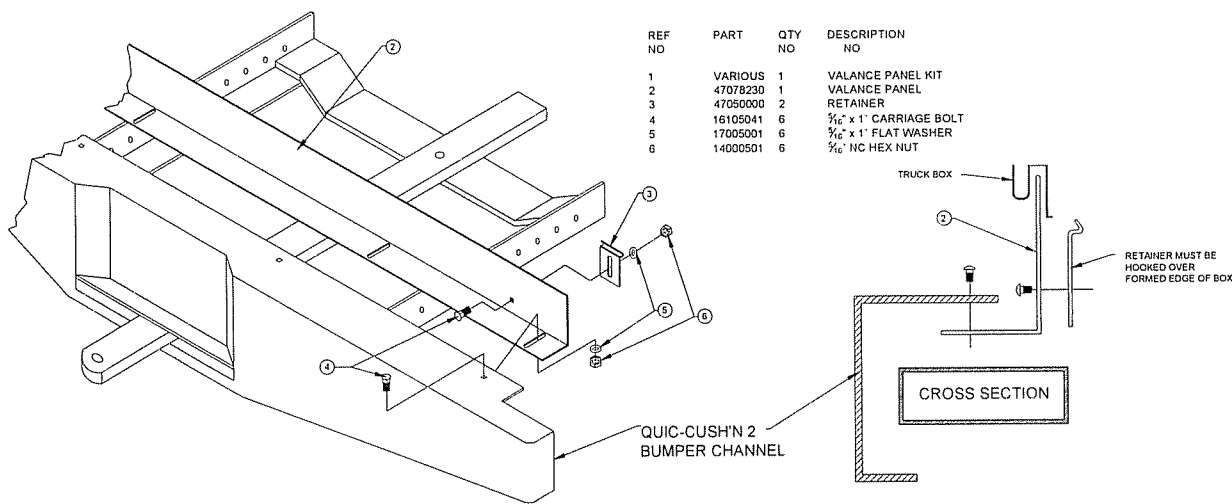
1. Periodically check wear pads to make sure that the towbar slides on the wear pads. There should be 1/16 of an inch between the top of towbar and bottom of top wear plate. Add shims under wear pads if required.
2. Keep all bolts tight. Check all connections periodically.
3. Use only authorized repair parts obtainable from your local dealer.
4. **TORQUE ALL BOLTS TO THE FOLLOWING SPECIFICATION:**
  - 7/16 dia. Gd. 5 to...55 ft-lbs
  - 1/2" dia. Gd. 5 to...85 ft-lbs
  - 9/16 dia. Gd. 5 to...125 ft-lbs
  - 5/8" dia. Gd. 5 to...170 ft-lbs

# ASSEMBLY INSTRUCTION

Follow assembly instructions below. Refer to assembly drawings and instructions included with your mounting kit.

1. Remove existing bumper, spare tire, carrier and bolted-in cross member behind rear axle.  
**NOTE:** Do not remove any welded or riveted-in cross members.
2. For 2-WD and 4-WD trucks, bolt on mounting brackets to outside of frame. Use straight brackets for trucks with 34" wide frames and formed brackets for trucks with wider frame.
3. There are four sets of mounting holes in most Quic-Cush'n 2 brackets which will position the towbar various heights from the ground. Proper towbar height is 17"-20" from the ground to the top of the towbar. By design the top of towbar is in line with the mounting holes in the brackets; therefore measure from the ground to the desired mounting holes and bolt bumper frame to this location.  
**NOTE:** On some trucks with heavy duty suspensions, the drawbar will be higher than 20". Mount hitch in the lowest hole on these units.
4. Loosely install Quic-Cush'n 2 frame assembly between mounting brackets using the proper holes described in Step #3 above and proper holes in Quic-Cush'n 2 frame, front to rear, as shown in figure below.
5. Loosely install left and right diagonal braces to brackets as shown below.  
**NOTE:** The diagonal brace will always attach to hole "B" as shown below. On some trucks this hole "B" will be used to attach bumper frame to mounting bracket and diagonal brace.
6. When applicable, attach load supports using appropriate hole locations. Upper or lower holes and forward or aft holes on load spread support may be used depending on the make of vehicle and location of bumper.
7. Level Quic-Cush'n 2 bumper assembly, and tighten all bolts except the diagonal bracket bolts. Torque to specification.
8. Install drop center channel to frame assembly. Insert remaining diagonal brace bolts into ends of channel and tighten all bolts.  
**NOTE:** If optional filler valance panel is to be used, loosely attach it to the channel before installing channel.
9. Torque all load spread support bolts to 85 ft-lbs. Torque 5/8" nuts to 170 ft-lbs.
10. **IMPORTANT:** When complete, check for proper clearances between truck components and bumper assembly. There must be a minimum clearance of 2-1/4", fore and aft, and 1-1/4" above spring casting (Ref. #16) from any obstruction to allow proper and safe operation.

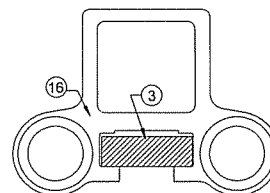
## VALANCE PANEL INSTALLATION



## TOWBAR ADJUSTMENT

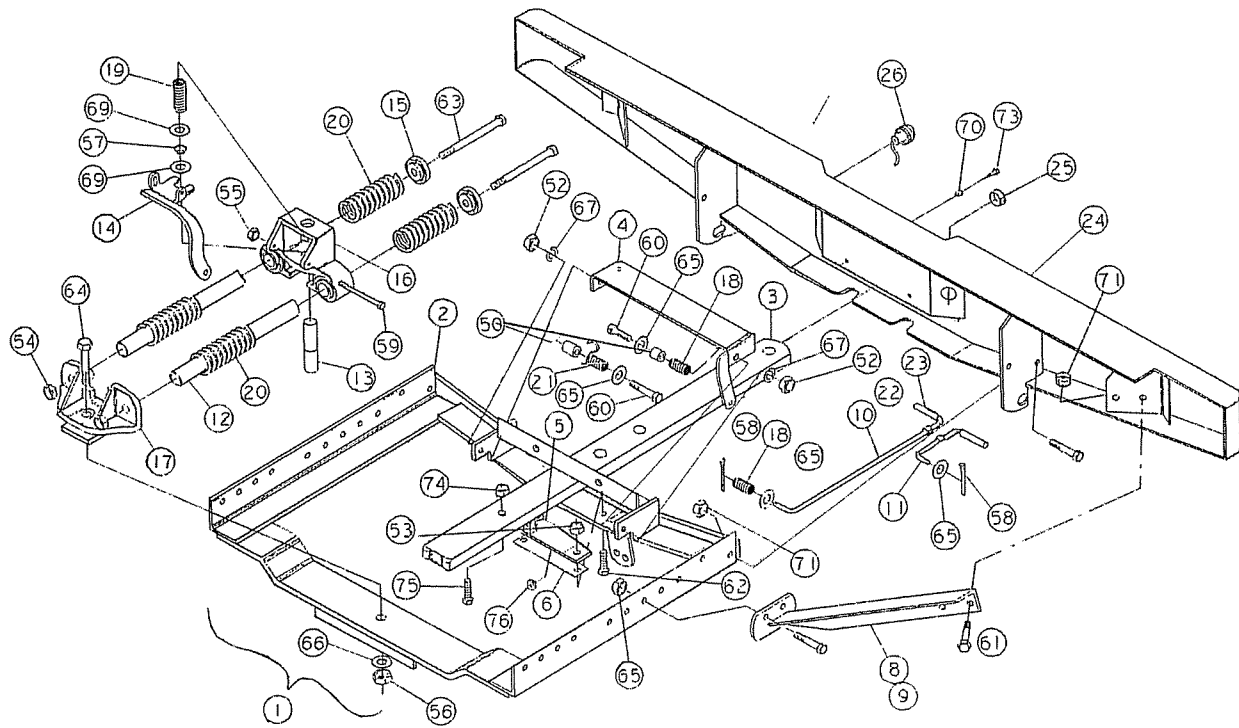
Your new Quic-Cush'n 2 bumper hitch has a floating spring mount casting feature, and when the casting is properly adjusted the towbar will telescope more easily. After the bumper hitch is installed on the truck, please do the following:

1. Check to see if the top or bottom surface of the towbar (ref. #3) is contacting the spring mount casting (ref. #16).
2. The underside of the towbar should contact the spring mount casting as shown below. Adjust this by tightening nut (Ref. #56) until casting moves up and touches towbar.



**IMPORTANT:** If nut is too tight, towbar will not swing from left to right. Be sure towbar swings freely.

# Quic-Cush'n II Assembly



REF. NO.	PART NO.	QTY NO.	DESCRIPTION	REF. NO.	PART NO.	QTY NO.	DESCRIPTION
-	-	-	Drop Center Bumper Frame Assembly	50	44003802	2	Bushing
1	47077200	1	Bumper Frame Weldment	52	14110601	2	3/8" NC Hex Nyloc Locknut
3	47070020	1	Towbar	53	14110801	2	1/2" NC Hex Nyloc Locknut
4	47077266	1	Stoplock	54	14111201	2	3/4" NC Hex Nyloc Locknut
5	47010002	1	UHMW Pad	55	14110401	1	1/4" NC Hex Nyloc Locknut
6	47017100	A/R	Shim	56	14111201	1	3/4" NC Hex Nyloc Locknut
8	47076031	1	LH Brace	57	14610100	1	Snap Ring
9	47076041	1	RH Brace	58	14700502	2	5/32" x 1-1/2" Cotter Pin
10	47077241	1	Long Handle	59	16004184	1	1/4"-20 x 4-1/2" NC Hex Bolt
11	47077246	1	Short Handle	60	16006095	2	3/8"-16 x 2-1/4" Hex Bolt
12	47070010	2	Pipe	61	16008055	2	1/2"-13 x 1-1/4" Hex Bolt
13	47077250	1	Lock Pin	62	16008365	2	1/2"-13 x 2-1/2 FHSC Bolt
14	47077470	1	Lever	63	16912645	2	3/4" x 16" NC Hex Bolt
15	20092160	2	Spring Retainer Casting	64	16912116	1	3/4"-10 x3-1/4" GRD 8 HHCS
16	20092161	1	Spring Casting	65	17006001	4	3/8" Washer
17	20092170	1	Towbar Mounting Casting	66	17112000	1	3/4" SAE ZP Flat Washer
18	24108100	2	Handle Spring	67	17610010	2	9/16 Mach. Bushing Washer, 18 ga.
19	24111201	1	Lock Pin Compression Spring	69	17616011	2	1" Machine bushing Washer, 10 ga.
20	24140610	4	Compression Spring	70	14090300	4	Plastic Fastener
21	24512512	1	Torsion Spring	71	14000801	10	1/2" NC Hex Nut
22	30003300	2	Snap-in Grommet	73	16900351	4	#10 x 5/8" Hex Sheet Metal Screw
23	30003400	2	Plastic Handle Grip	74	14111001	1	5/8"-11 Nyloc Locknut
24	47060140	1	Drop Center Channel; White	75	16010075	1	5/8"-11 x 1-1/2" Hex Bolt
	47060150	1	Drop Center Channel; Silver				
	47060160	1	Drop Center Channel; Chrome				
25	30003200	1	Pry-out Plug				
26	27501230	2	License Light				

## **LIMITED TWO YEAR WARRANTY**

This limited warranty (the "Warranty") is made and effective at date of ORIGINAL PURCHASE.

Between:           CUSTOMER (The "Customer"), the ORIGINAL PURCHASER of each new UTP/DMI product

And:                UNITED TRUCK PARTS (The "Company"), organized and existing under the laws of Indiana, with its head office located at 59 North Oak Street, Bluffton Indiana.

### **WARRANTY**

The Company warrants the Customer that the product will be free of defects in material and workmanship for the following periods:

WELDED STRUCTURAL MEMBERS ..... 2 years  
ALL OTHER COMPONENTS, MOUNTING KITS, AND BUMPERS ..... 1 year

### **EXCLUSIONS**

This warranty does not cover wear parts. Parts are warranted to be free of defects in material and workmanship for a period of one (1) year from the date of delivery.

This warranty covers only defective material or workmanship. It does not cover normal wear, maintenance, or rust on the back side of the bumper, or repair resulting from accident, improper maintenance, improper use, or alteration of the product. The cost of normal maintenance, service, and repair items shall be paid by the owner.

### **LIMITS OF LIABILITY**

Under this warranty the Company shall at its option either repair or replace free of charge any defective part or parts. The part or parts must be returned to the Company within thirty (30) days from the date of failure, through the Customer from whom the product was purchased. Transportation charges are prepaid. The only remedies are those which are outlined herein. The Company will not be liable for incidental damages including, but not limited to, loss of crops, livestock, loss because of delay in harvesting, vacation, business, or any expense or loss incurred to labor, supplies, substitute machinery, or rental.

This warranty is subject to any existing conditions of supply which affect the Company's ability to obtain materials or manufacture replacement parts.

United Truck Parts reserves the right to make improvements in design or changes in specification at any time without incurring any obligation to owners of products previously sold.

No one is authorized to alter, modify, or enlarge this warranty nor its exclusions, limitations, and reservations.

THE FOREGOING WARRANTY IS IN LIEU OF AND EXCLUDES ALL OTHER WARRANTIES, WHETHER EXPRESSED OR IMPLIED, BY OPERATION OF LAW OR OTHERWISE, INCLUDING THE IMPLIED WARRANTIES OF MERCHANTABILITY AND FITNESS FOR PURPOSE. BY INSTALLING OR USING THIS PRODUCT, THE USER ACCEPTS ALL TERMS DESCRIBED HEREIN.

3/26/09

Almeo Steel Products Corp  
dba United Truck Parts  
59 North Oak Street Ext  
Bluffton, IN 46714