

Installation Instructions

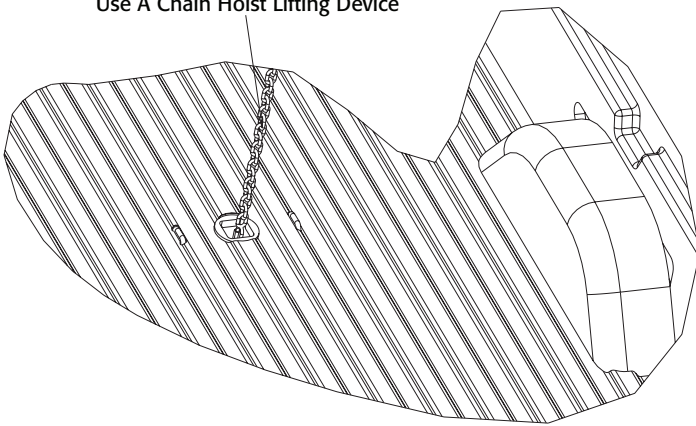
5613302 Gooseneck Flip Ball Hitch

Dodge 2500 - 2013+ Long/Short Bed Diesel



To simplify the installation process, an Overhead Lifting Device is necessary to lift the center section into the appropriate location.

Use A Chain Hoist Lifting Device



WARNING

Fuel lines, brake lines, and electrical wires are located along the frame of the truck. When positioning the gooseneck flip ball hitch, care must be taken to avoid damaging these components.

WARNING

Before installing the gooseneck flip ball hitch, check for adequate turning clearance of the front of your trailer and the truck cab

WARNING

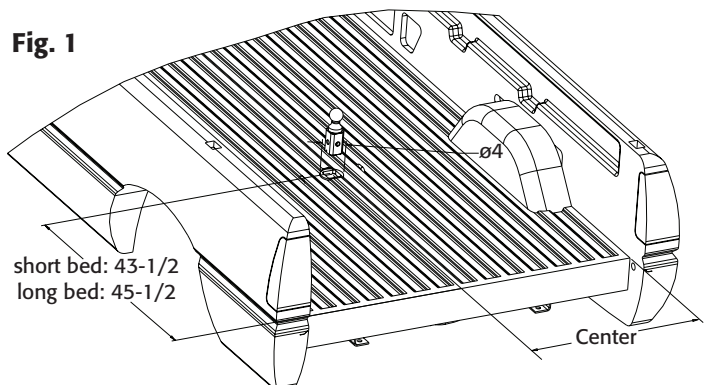
Cab clearance on short bed trucks is very limited when towing certain trailers. Failure to insure that there will be adequate clearance, may result in significant property damage, or serious injury.

WARNING

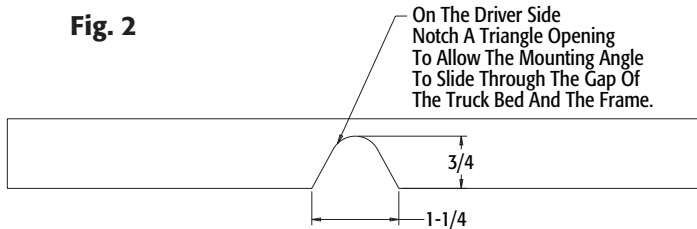
On 2WD trucks, remove the ball from the socket when carrying heavy loads. Under load, the ball may contact the differential, causing damage.

1. Remove Spare tire off the truck temporarily for easier installation
2. If the heat shield existed and posed as an interference item, remove it carefully. Cutting and trimming may be necessary.
3. Mark from the back-edge of the truck 43.5" for short bed, and 45.5" for Long bed. Measure the center line of the truck. Mark the spot at the intersection of the two measurements. Make a hole using a 4" Bore hole saw. If you have a drop in Bed liner, it is necessary to bore through both. (fig. 1)

Fig. 1

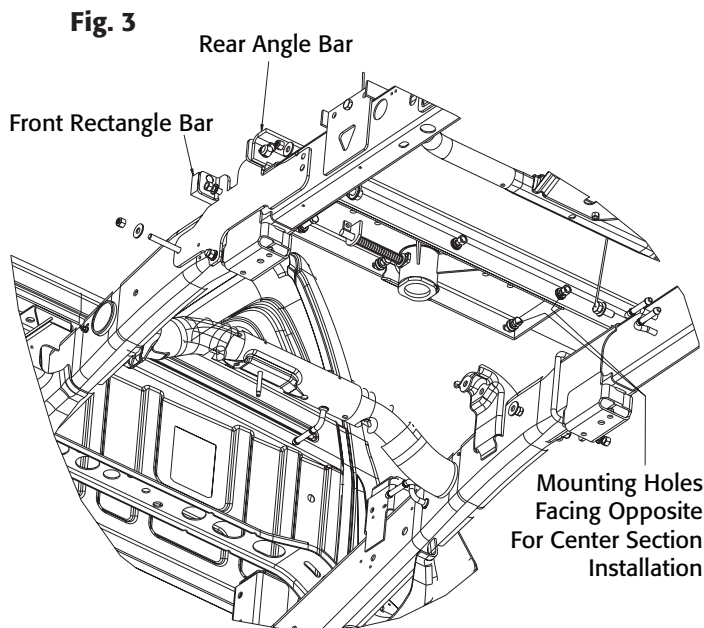


4. Your vehicle bed-flange MAY need to be notched in order to slide the cross member angle through the truck bed. You may also have to slit another triangle section on the plastic protector around the wheel tire in the same manner as the bed flange(fig. 2)

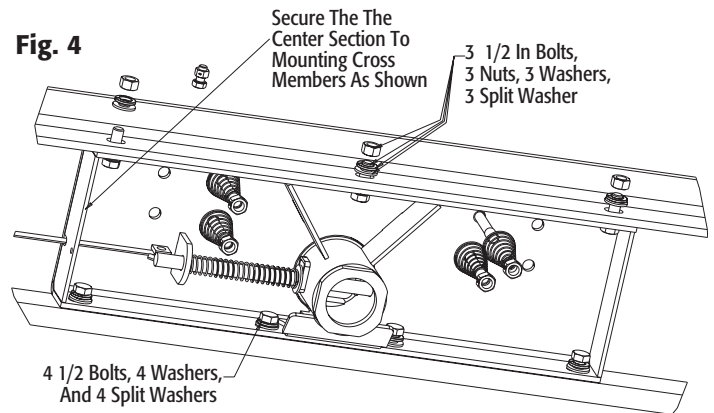


5. Slide the Rear Cross angle through the truck between the frames and the truck bed. Make sure the mounting holes are facing the front of the truck. Roll the bracket upright and slide it toward the 4" holes drilled earlier leaving about 4" space for the center section to lift into place.

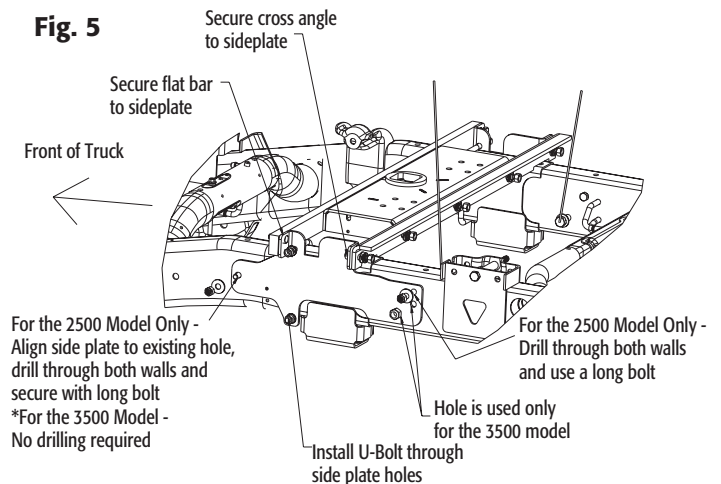
6. Repeat for the Front rectangle bar with the mounting holes facing the rear. Leave about 8" total clearance between the two cross-members to accommodate for the center section (fig. 3).



7. Install the Center Section between the two cross members just installed. The latch pin slot must be located on the driver side of the truck. Avoid obstacle such as exhaust pipe and fuel lines. Once the installation is completed, relocate/replace the vent line bracket into position. (fig. 4).



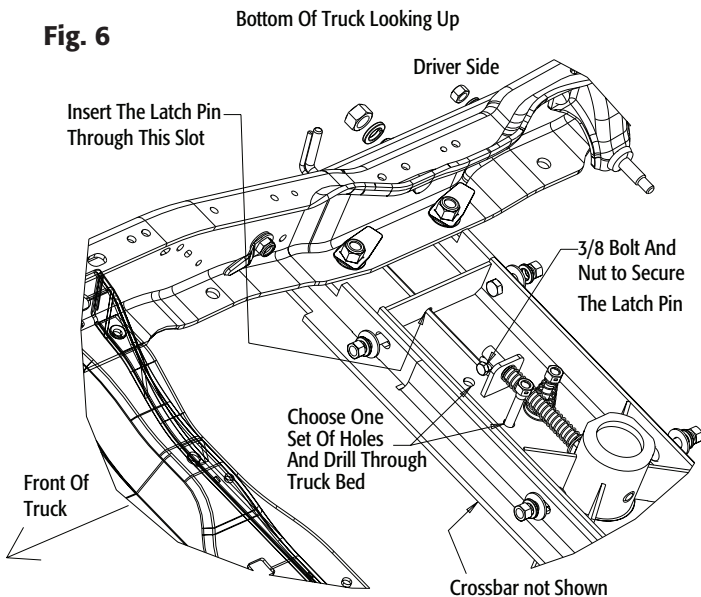
8. Align the side plate to the existing hole on the driver side of the frame next to the rear axle. Secure the U-Bolt onto the side plate to adhere the side plate onto the frame firmly (do not tighten yet). Next use a long drill bit, and drill through the existing hole having both walls of the frame drilled. Insert the long 4" bolt through the newly drilled hole. To the rear of the axle, using the side plate as a template drill the upper holes through both walls of the frame. For the 2500 RAM model use the 4" long bolts for the newly drilled holes. For the 3500 model, secure the sideplate to the existing hole of the frame with the 5/8" bolt-stick. Secure it with the 5/8" washer and nut provided. **Caution: Insert the U-Bolt carefully to go inside adhering to the surface of the frame, so it will not pinch the fuel line and wiring cable.** (fig. 5).



9. Repeat the sideplate installation on the passenger side. Caution, wiring must remain close to its original position as possible. Interference parts, if possible, must be relocated.

11. Tighten the center section to the crossmember at 80 ft. lb. Check to ensure the assembly is square with respect to the frame and truck bed.

12. Install the latch pin release handle from underneath the truck by inserting it through the slot. The head of the bolt must be on the front side of the truck. This is necessary for the handle to be pulled and rotated in order to disengage. You may insert the rubber protector sleeve insert at this time (fig 6).



13. To install the U-Bolt, it is necessary to drill four 1/2" holes through the truck bed floor. From bottom of the truck, drill upward with the 4 existing holes from the center sections. Use the set of holes that are at the bottom of the floor corrugation if possible. Install the 4 tapered springs into the holes just drilled along with the U-Bolts. Secure it with 1/2" nuts provided. Make sure to turn the nuts with all the thread engaged and the springs are pulling the U-Bolt downward.

14. Re-attach the Exhaust that was removed/loosened earlier.

15. Place the 2-5/16" hitch ball into the newly installed hitch. Pull and turn the latch pin to engage the ball with the hitch.

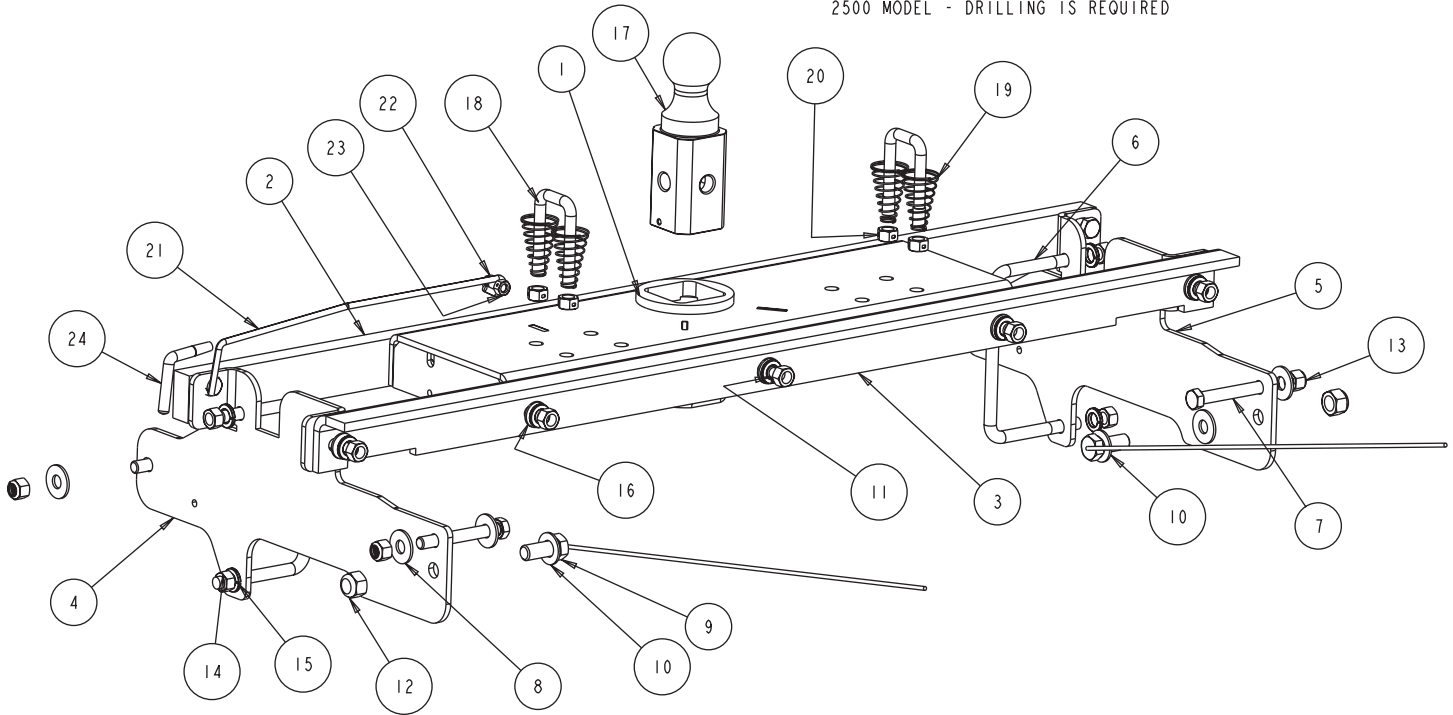
16. Make sure the pin passes through both holes of the hitch. Remove and grease the square base of the ball. Reinstall the heat shield and the spare tire to its original location.

WARRANTY

Buyers Products Co. warrants all truck/trailer hardware manufactured or distributed by it, to be free from defects in material and workmanship for a period of one year from date of shipment. Parts must be properly installed and used under normal conditions. Any product which has been altered, including modification, misuse, accident or lack of maintenance will not be considered under warranty. Normal wear is excluded. The sole responsibility of Buyers Products Co. under this warranty is limited to repairing or replacing any part or parts which are returned, prepaid, and are found to be defective by Buyers Products Co. Authorization from Buyers Products Co. must be obtained before returning any part. No charges for transportation or labor performed on Buyers' products will be allowed under this warranty.

Repair Parts - Gooseneck Hitch Assembly

FOR 2013 MODEL
 3500 MODEL - NO DRILLING REQUIRED
 2500 MODEL - DRILLING IS REQUIRED



Bill of Materials

ITEM	PART NO.	QTY.	DESCRIPTION
1	3018281	1	HITCH WELDMENT, DODGE, FLIP-OVER
2	3021556	1	BAR, MOUNTING BASE
3	3021557	1	ANGLE, X-MEMBER MOUNT BASE
4	3024853	1	SIDE PLATE, RAM 2013 GOOSE
5	3024854	1	SIDE PLATE, RAM 2013 GOOSE
6	3024846	2	U-BOLT, SQUARE 1/2 DIA
7	-	4	SCREW, HEX HEAD CAP 1/2-13 X 4.00 GR 5 ZN
8	-	6	WASHER, FLAT, 1/2" USS, ZN
11	3006202	11	SCREW, HEX HD - 1/2-13 X 1-1/2 GR 8 ZC
13	3002397	4	LOCKNUT, HEX NYLOCK, 1/2-13 ZN, G8
14	3006201	9	NUT, 1/2-13 HEX GR. 8 ZP

ITEM	PART NO.	QTY.	DESCRIPTION
15	-	13	WASHER, LOCK - 1/2 SPLIT ZN
16	-	9	WASHER, FLAT 1/2" SAE ZINC
17	3018195	1	BALL, FLIP-OVER, MACHINED
18	3018214	2	U-BOLT, SQUARE ZINC, SPECIAL
19	3018215	4	SPRING, COMPRESSION, TAPER COIL
20	3002218	4	NUT, CENTER LOCK HEX 1/2-13 ZN
21	3018211	1	ROD, PULL, ZY
22	-	1	SCREW, 3/8-16 X 3/4 CAP
23	3018216	1	NUT, HEX, 3/8-16, CENTER LOCK, ZP
24	3018212	1	SLEEVE, VINYL, 1/4 X 4, BLACK