

# INSTALLATION INSTRUCTIONS

## CHAIN HANGER BOLT ON

PLYMOUTH, MI.

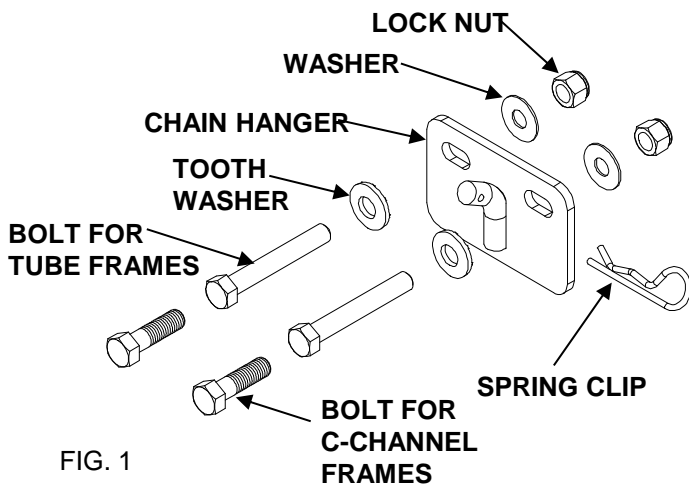


FIG. 1

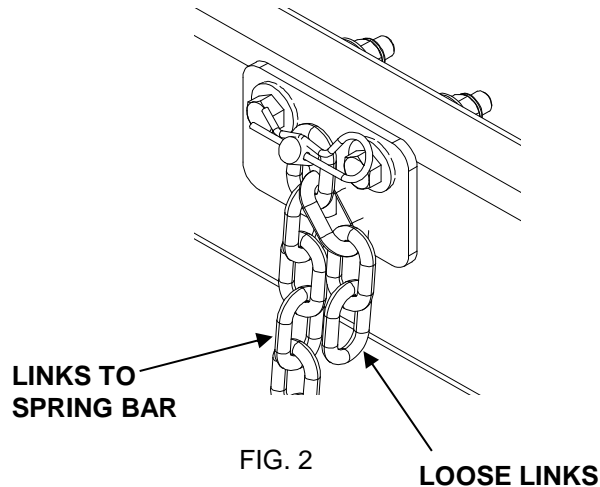


FIG. 2

LOOSE LINKS

### INSTALLING CHAIN HANGER:

1. CLAMP CHAIN HANGER ASSEMBLY TO TRAILER THE FRAME IN THE POSITION AS DIRECTED IN STEP 2. MEASURE FROM THE CENTER OF COUPLER BALL CENTER TO CENTER OF CHAIN HANGER. FOR TUBE FRAMES: LOCATE TOP OF CHAIN HANGER PLATE 1/4" DOWN FROM TOP OF FRAME. FOR C-CHANNEL FRAME: LOCATE TOP OF CHAIN HANGER PLATE 1/2" DOWN FROM TOP OF FRAME. **NOTE:** BEFORE DRILLING HOLES MAKE SURE SPRING BAR CHAIN WILL HANG VERTICAL, AVOID ANY WIRES RUNNING IN FRAME.
2. REESE & DRAW-TITE Trunnion = 30"  
REESE & DRAW-TITE Round bar = 28-5/8"  
Pro Series Trunnion = 28"  
Pro Series Round bar = 26-5/8"
3. MARK THE CENTER OF THE SLOTTED HOLE WITH A CENTER PUNCH. REMOVE CHAIN HANGER ASSEMBLY. DRILL TWO 1/2" HOLES THROUGH C-CHANNEL FRAME OR THROUGH BOTH WALLS OF TUBE FRAME. **NOTE:** AVOID ANY WIRES RUNNING IN FRAME.
4. INSTALL BOLTS, WASHER AND CHAIN HANGER THROUGH HOLES IN TRAILER FRAME. INSTALL FLAT WASHERS AND LOCK NUTS.
5. TIGHTEN LOCK NUTS SO THE CHAIN HANGER IS TIGHT AGAINST THE TRAILER FRAME. **CAUTION:** DO NOT OVER TIGHTEN NUTS AND BOLTS, MAY CAUSE DAMAGE TO TRAILER FRAME.
6. REPEAT STEP 1 THRU 4 FOR OTHER SIDE.

### HOOK UP:

1. HOOK UP TOW VEHICLE AND TRAILER. (CONSULT W.D. INSTRUCTIONS FOR HOOK UP)
2. PLACE SPRING BAR IN W.D. HEAD. (CONSULT W.D. INSTRUCTIONS FOR HOOK UP)
3. RAISE TRAILER TONGUE AND REAR OF CAR WITH JACK. **NOTE:** PLACE WOOD BLOCK UNDER JACK FOR EXTRA HEIGHT AND CONFIRM TRAILER IS STABLE.
4. SLIP THE CLOSEST LINK OVER THE CHAIN HANGER HOOK. **NOTE:** MAKE SURE LOOSE LINKS ARE AT BOTTOM OF LINK THAT IS HOOKED ON PIN. (SEE FIG. 2) (IF THERE ARE LESS THAN 5 LINKS BETWEEN HOOK AND U-BOLT ADJUST BALLMOUNT ANGLE REARWARD, AND REPEAT PROCEDURE). PLACE SPRING CLIP IN TO CHAIN HANGER HOOK HOLE.
5. REPEAT FOR OTHER SIDE.
6. CONSULT W.D. INSTRUCTIONS FOR THE REST OF THE HOOK UP.

For Installation Assistance or Technical Help, Call 1-888-521-0510