



BULL BAR

PART# B35-4001 / 35-4001 INSTRUCTION SHEET

2000-06 TAHOE/YUKON/ 2000-06 SUBURBAN 1500 / YUKON XL 1500

1999-06 SILVERADO/SIERRA 1500 / 2007 SILERADO 1500 CLASSIC (both w/ & w/o clad) 2007 SIERRA 1500 CLASSIC

2001-06 AVALANCHE 1500 (both w/ and w/out clad)

<u>QTY.</u>	<u>ITEM</u>	<u>CONTENT</u>
1	1	BULL BAR
2	2	BRACKETS-PASSENGER & DRIVER SIDE
2	3	BOLT PLATE
2	4	PLASTIC PLUG
4	5	RUBBER BUMPER
2	6	1/2 -13 X 2.00" HEX HEAD BOLT
8	7	1/2" FLAT WASHERS
6	8	1/2" LOCK WASHERS
2	9	1/2- 13 HEX NUT
4	10	3/8 -16 X 1.25 HEX HEAD BOLT
8	11	3/8" FLATE WASHER
4	12	3/8 LOCK WASHER
4	13	3/8-16 HEX NUT
2	14	M12- 1.75 X 40MM HEX HEAD BOLT
2	15	M12-1.75 HEX NUT

STEP 1 REMOVE CONTENTS FROM BOX AND VERIFY ALL PART ARE PRESENT. READ INSTRUCTIONS COMPLETELY BEFORE BEGINNING.

STEP 2 IT MAY BE NECESSARY TO REMOVE/RELOCATE FRONT LICENSE PLATE AND LICENSE PLATE BRACKET. IT IS NOT REQUIRED, BUT SRONGLY RECOMMENDED.

STEP 3 DETERMINE PASSENGER AND DRIVER BRACKETS. FROM UNDERNEATH VEHICLE, REMOVE TOW HOOKS. INSERT BOLT PLATES THROUGH LARGE HOLES AND M12 X 1.75 X 40MM HEX HEAD BOLTS THROUGH SMALL HOLES IN BOTH BOTTOM FRAME LOCATIONS. SEE FIGURE 2.

STEP 4 ATTACH BRACKETS TO FRAME USING 1/2" FASTENERS AS SHOWN. LEAVE LOOSE. **NOTE**, FOR VEHICLES W/OUT TOW HOOKS A SMALL OPENING MAY NEED TO BE CUT OUT IN THE TWO INSIDE INDENTS OF THE AIRDAM USING A UTILITY KNIFE. SEE FIGURE 3.

STEP 5 ATTACH BULL BAR TO BRACKETS USING 3/8" FASTENERS AS SHOWN. **NOTE:** 1999-02 MODELS USE FRONT AND MIDDLE HOLES ON THE LOOP MOUNTING BRACKETS. 2003 UP MODELS USE MIDDLE AND REAR HOLES. SEE FIGURE 2.

STEP 6 LEVEL AND ADJUST BULL BAR AS DESIRED. TORQUE 1/2" FASTENERS TO 65 FT.LBS AND 3/8" FASTENERS TO 30 FT. LBS.

FINISH PROTECTION- ARIES PRODUCTS HAVE A HIGH FINISH THAT MUST BE MAINTAINED SUCH AS ANY OTHER HIGH FINISH PRODUCT ON THE VEHICLE. PROTECT THE FINISH WITH A NON-ABRASIVE AUTOMOTIVE WAX. THE USE OF SOAP, POLISH, OR WAX THAT CONTAINS ABRASIVES IS DETRIMENTAL, AS THE COMPOUNDS SCRATCH THE FINISH AND OPEN IT TO CORROSION.

DISCLAIMER- BUYER ASSUMES ALL RISK AND LIABILITY WHATSOEVER FROM THE INSTALLATION AND USE OF ARIES PRODUCTS. ARIES PRODUCTS ARE SOLD AS DECORATIVE ACCESSORIES AND SHOULD NOT BE RELIED UPON AS PROTECTION FOR THE VEHICLE OR OCCUPANTS IN THE EVENT OF A COLLISION OR ROLL OVER. ARIES AUTOMOTIVE ASSUMES NO LIABILITY FOR INJURY, LOSS, INCIDENTAL OR CONSEQUENTIAL DAMAGES IN THE EVENT OF A COLLISION OR ROLLOVER.

35-4001

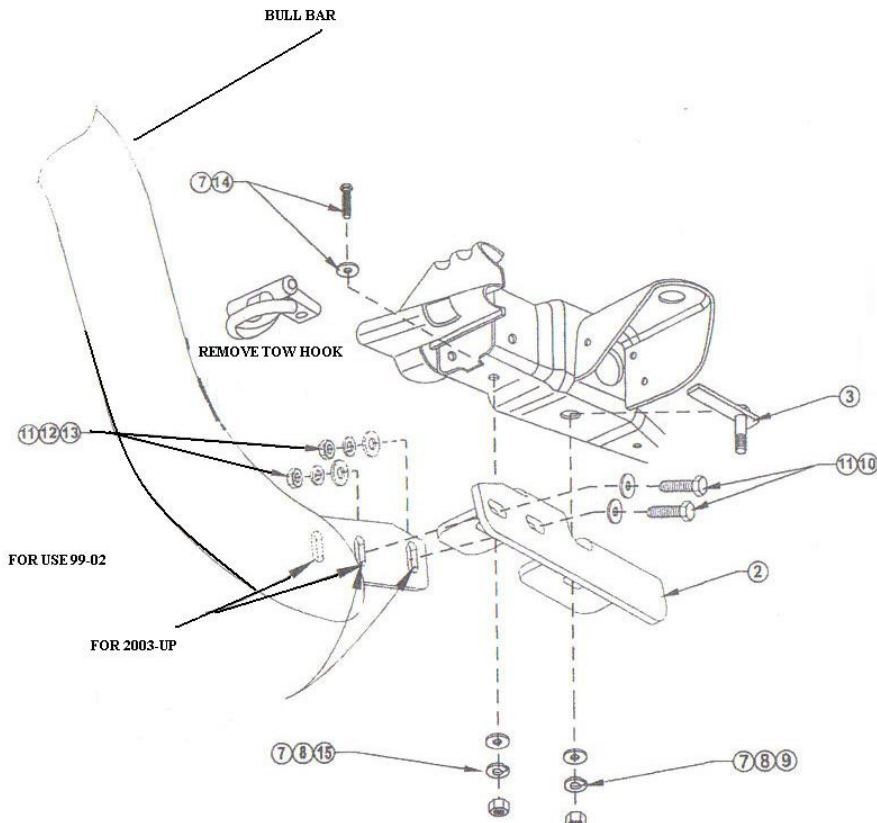


FIGURE 2 PASSENGER SIDE INSTALLATION DRIVER SIDE OPPOSITE

