

INSTALLATION MANUAL

Level of Difficulty

Easy

Installation difficulty levels are based on time and effort involved and may vary depending on the installer level of expertise, condition of the vehicle and proper tools and equipment.

Weight Carrying Capacity

| | |
|----------------------------|------------|
| Gross trailer weight (GTW) | 3,500 lbs. |
| Tongue weight (TW) | 350 lbs. |

Parts List

| Item | Qty | Description |
|------|-----|-----------------------------|
| 1 | 1 | Trailer coupler |
| 2 | 4 | * Hex bolt, 1/2", grade 5 |
| 3 | 4 | * Nylock nut, 1/2", grade 5 |

* Recommended hardware, not included

Tools Required

| | |
|--------------------|------------------|
| Ratchet | Torque wrench |
| Socket set | Socket extension |
| Box end wrench set | -- |

* For a tools reference guide visit curtmfg.com/trailer-hitch-installation

Torque Specifications

| | |
|-----------|------------|
| 1/2" bolt | 55 ft-lbs. |
|-----------|------------|

Use above torque setting unless otherwise noted

⚠ WARNING

Never exceed the vehicle manufacturer's recommended towing capacity.

The coupler must be rigidly attached to the trailer in order for the coupler to support its maximum rated load according to SAE J684.

Failure to follow warnings and instructions may result in property damage, serious bodily injury, and/or death.

Product Photos



NOTICE

Visit www.curtmfg.com for a full-color copy of this instruction manual, as well as helpful videos, guides and much more!

Before you begin installation, read all instructions thoroughly.

Proper tools will improve the quality of installation and reduce the time required.

Periodic inspection of your product should be performed to ensure all hardware and / or components remain secure.

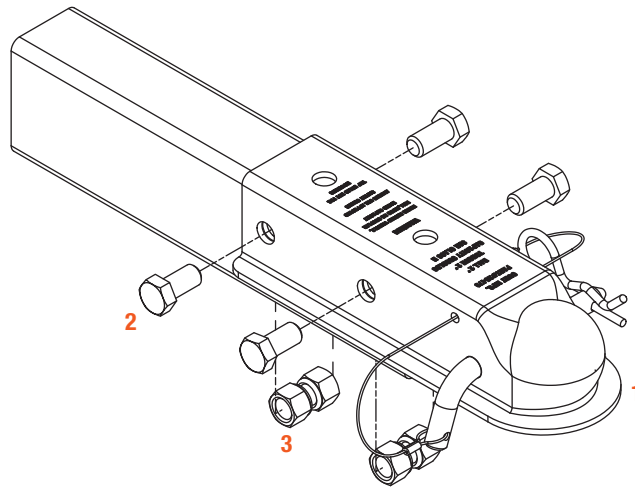
To help prevent damage to the product or vehicle, refer to the specified torque specifications when securing hardware during the installation process.

Product Registration and Warranty

CURT stands behind our products with industry-leading warranties. To get copies of the product warranties, register your purchase or provide feedback, visit: warranty.curtgroup.com/surveys

Assembly

Bolt the trailer coupler to the front of the trailer tongue using 1/2" grade 5 bolts and nylock nuts (not provided). Use all available side mounting holes. **Note:** The pin guide hole is not a mounting hole. Torque hardware to 55 ft.-lb.



Operation

⚠ WARNING

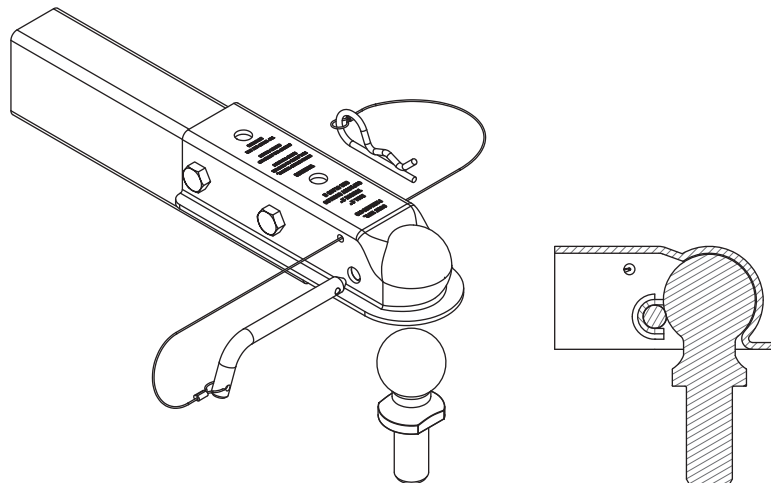
Only use the pin & clip provided with the coupler. Using an alternate pin & clip could result in property damage, serious bodily injury, and / or death.

To couple: Remove the pin & clip from the pin guide hole. Lower the coupler over the trailer ball until the ball is fully seated in the ball pocket. Insert the provided pin through the pin guide hole and fasten the clip through the end of the pin.

⚠ WARNING

When the ball is fully seated, if the pin does not pass through the coupler completely, DO NOT TOW.

To uncouple: Block the trailer's wheels. Remove the pin & clip from the pin guide hole and raise the trailer off of the trailer ball. Place the pin & clip back into the pin guide hole.



TOWING BASICS & SAFETY INFORMATION

For information on safely towing your trailer, visit curtmfg.com/understanding-towing.