

**\*\*DO NOT EXCEED RECOMMENDED VEHICLE TOWING WEIGHT!\*\***

**60648 SUBKIT** 99-07, CHEVY / GMC 1500 & 2500LD SILVERADO / SIERRA CLASSIC BODY ONLY - ALL BEDS  
01-10, CHEVY / GMC 2500HD & 3500 SILVERADO / SIERRA CLASSIC & NEW BODY - ALL BEDS

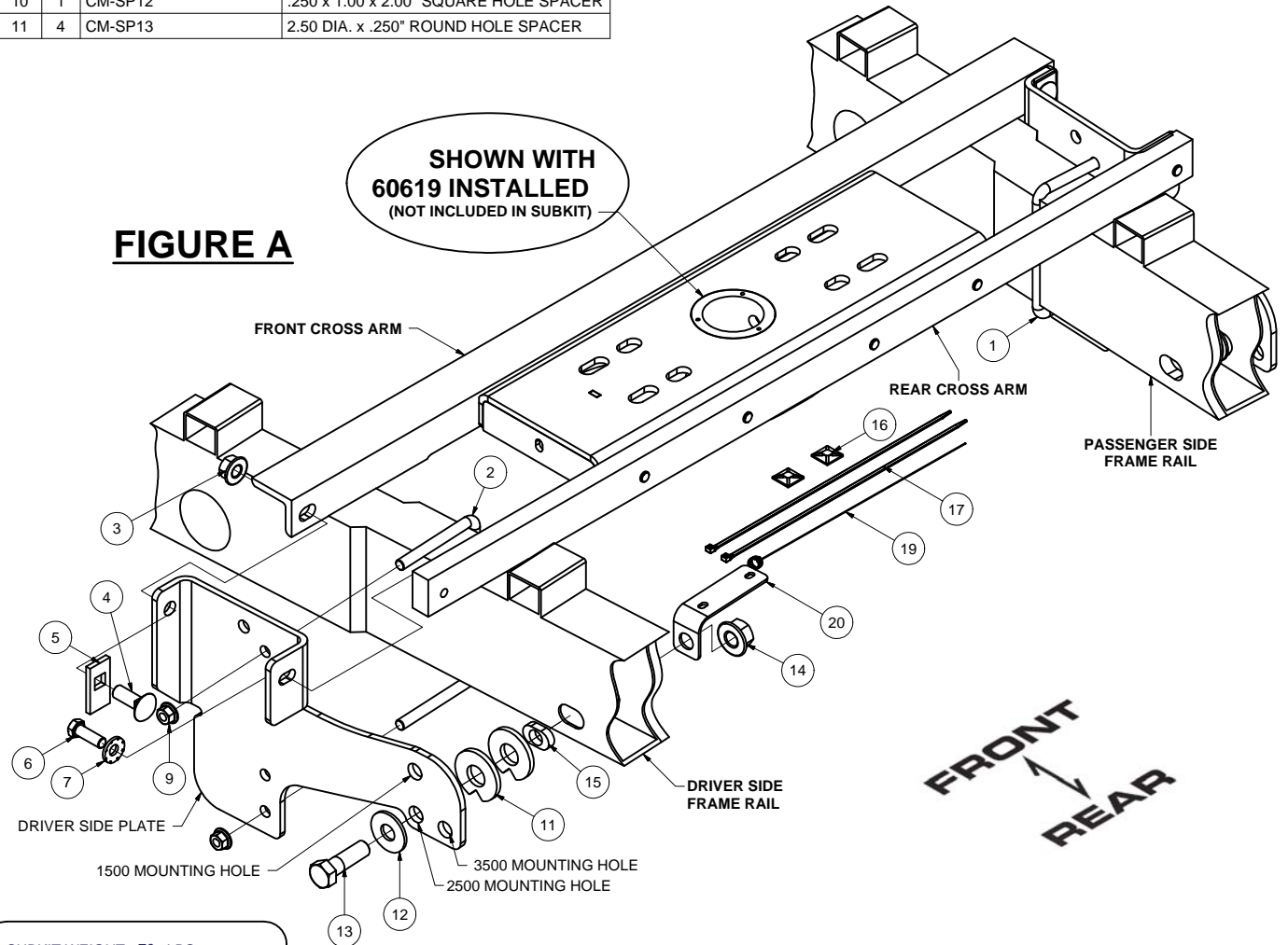
9/28/2015

PAGE 1 OF 5

**WARNING!!** BRAKE, FUEL, AND ELECTRICAL LINES MAY NEED TO BE LOOSENED OR REPOSITIONED TO PROVIDE CLEARANCE FOR NEW HARDWARE. SOME MODELS MAY REQUIRE MODIFICATION OR REMOVAL OF HEAT SHIELDS. ON SHORT BED MODELS, CHECK FOR ADEQUATE TURNING CLEARANCE BETWEEN THE FRONT OF ALL TRAILERS AND THE TRUCK CAB. ON TWO WHEEL DRIVE TRUCKS A CLEARANCE CHECK MUST BE PERFORMED WHEN TRUCK IS LOADED AND UNLOADED TO VERIFY THE INVERTED BALL WILL NOT INTERFERE WITH THE TOP OF THE DIFFERENTIAL

**\*\*REMOVE ALL REAR WINDOW ACCESSORIES BEFORE TOWING\*\***

Parts List				Parts List			
ITEM	QTY	PART NUMBER	DESCRIPTION	ITEM	QTY	PART NUMBER	DESCRIPTION
1	2	CM-1201-UBS	1/2-13 x 4 1/8 x 6 3/4 x 1 1/2 SQ U-BOLT	12	2	3_4 FW	FLAT WASHER
2	2	CM-1202-UBS	1/2-13 x 4 3/4 x 8 3/4 x 2 SQ U-BOLT	13	2	3_4 - 10 x 2 1/2 HEX	HEX HEAD BOLT-NC
3	2	5/8-11	HEX FLANGE NUT	14	2	3_4 - 10 HFN	HEX FLANGE NUT
4	2	5/8-11 x 1 3_4, GR8	CARRIAGE BOLT	15	2	60648-SP	.375" OBOUND SPACER
5	2	CM-SP9	.250 x 1.25 x 2.50" SQUARE HOLE SPACER	16	2	CM-11-CTM	CABLE TIE MOUNT 1 X 1 UV BLACK
6	6	1_2 - 13 x 1 1_2 HEX, GR8	HEX BOLT	17	2	CM-116415-CT	CABLE TIE 11/64 X 15" 50# UV BLACK
7	6	1/2	CONICAL TOOTHED WASHER	18	2	1/2 PNBR	1/2" PUSHNUT BOLT RETAINER
8	4	1/2-13 x 1 1/2, GR8	CARRIAGE BOLT	19	1	1_2 FISHWIRE	1/2" FISHWIRE
9	8	HFN 1213, GR8	HEX FLANGE NUT	20	1	CM-EBB	11GA. ELECTRICAL BOX BRACKET
10	1	CM-SP12	.250 x 1.00 x 2.00" SQUARE HOLE SPACER				
11	4	CM-SP13	2.50 DIA. x .250" ROUND HOLE SPACER				



SUBKIT WEIGHT: 70 LBS.

INSTALL TIME

PROFESSIONAL: 45 MINUTES

NOVICE (DIY): 90 MINUTES

INSTALL NOTES:

- TRIM OR REMOVE HEAT SHIELD
- LOWER SPARE TO EASE INSTALL
- NO DRILLING REQUIRED

PERIODICALLY CHECK THIS GOOSENECK HITCH TO ENSURE THAT ALL FASTENERS ARE TIGHT AND THAT ALL STRUCTURAL COMPONENTS ARE SOUND.

Curt Manufacturing Inc., warrants this product to be free of defects in material and/or workmanship at the time of retail purchase by the original purchaser. If the product is found to be defective, Curt Manufacturing Inc., may repair or replace the product, at their option, when the product is returned, prepaid, with proof of purchase. Alteration to, misuse of, or improper installation of this product voids the warranty. Curt Manufacturing Inc.'s liability is limited to repair or replacement of products found to be defective, and specifically excludes liability for incidental or consequential loss or damage.

**\*\*DO NOT EXCEED RECOMMENDED VEHICLE TOWING WEIGHT!\*\***

**60648 SUBKIT** 99-07, CHEVY / GMC 1500 & 2500LD SILVERADO / SIERRA CLASSIC BODY ONLY - ALL BEDS  
01-10, CHEVY / GMC 2500HD & 3500 SILVERADO / SIERRA CLASSIC & NEW BODY - ALL BEDS

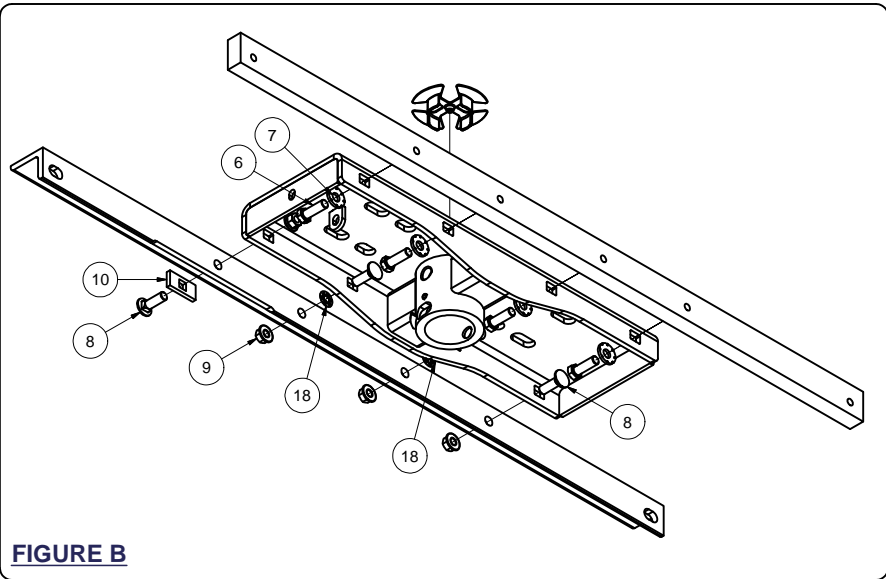
PAGE 2 OF 5

**WARNING!!** BRAKE, FUEL, AND ELECTRICAL LINES MAY NEED TO BE LOOSENED OR REPOSITIONED TO PROVIDE CLEARANCE FOR NEW HARDWARE. SOME MODELS MAY REQUIRE MODIFICATION OR REMOVAL OF HEAT SHIELDS. ON SHORT BED MODELS, CHECK FOR ADEQUATE TURNING CLEARANCE BETWEEN THE FRONT OF ALL TRAILERS AND THE TRUCK CAB. ON TWO WHEEL DRIVE TRUCKS A CLEARANCE CHECK MUST BE PERFORMED WHEN TRUCK IS LOADED AND UNLOADED TO VERIFY THE INVERTED BALL WILL NOT INTERFERE WITH THE TOP OF THE DIFFERENTIAL

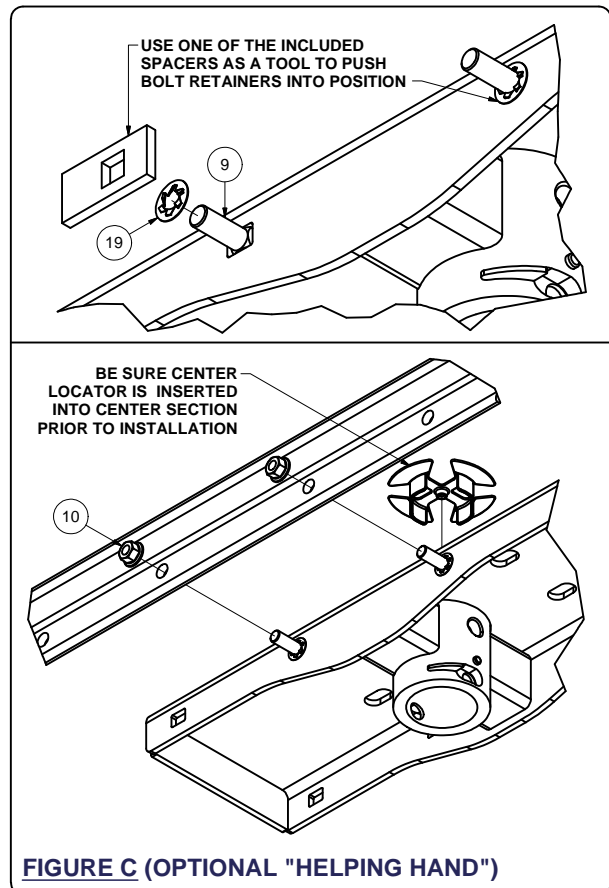
- 1) Remove spare tire and heat shield. The heat shield under the bed floor needs to be removed or a section cut out for the hitch assembly to be installed. If cut, trim the heat shield from in front of the bed support over the axle to the back of the bed support near the front of the wheel well.

**\*\*NOTE: Before installing crossarms, run a 1/2"-13 bolt or 1/2"-13 tap through crossarm holes to remove any powder or debris.\*\***

- 2) Install the rear crossarm by sliding it between the frame and truck bed floor above the passenger side rear tire. After spanning the frames, rotate the cross arm vertically with the holes towards the bottom. **On 1 ton applications**, slide the crossarm through toward the front of the third truck bed rail.



- 3) Install the front crossarm by sliding it between the truck frame and truck bed above the passenger side rear tire. With the crossarm spanning the truck frame, rotate it vertically with the holes towards the bottom. Notch the bed flange as required if needed.
- 4) Install the center section by carefully raising it above the fuel tank from beneath the truck. **OPTIONAL:** Two pushnut bolt retainers (11) are included to give a "helping hand" to the installation process. If desired, put two 1/2" x 1 1/2" carriage bolts (3) in through the centermost slots on the front side of the center section. Be sure the serrations in the bolt retainers are angled away from the center section and push a bolt retainer onto the two carriage bolts. Use one of the included spacers as a tool to push the bolt retainers into position, see **FIGURE C**. Install the fasteners as shown above in **Figure B**, noting that the hole above the driver side front hole over the fuel tank uses a carriage bolt, spacer and nut. A 1/2" fishwire has been included to aid in the placement of the carriage bolt and spacer. Thread them only finger tight into the crossarms.
- 5) Install the sideplates, aligning the large holes with the existing slot in the frame. **For '07 and up 2500 & 3500 new body styles:** Remove the electrical box on the inside of the driver side frame and attach it using the supplied electrical box bracket. Attach the bracket to the frame with the 3/4" bolt used to attach the sideplate, using the obround spacers provided to fill the slot in the frame.
- 6) Attach the sideplate flanges to the cross arms using a 1/2" x 1 1/2" hex bolt with 1/2" conical tooth washer and 5/8" x 1 3/4" carriage bolt, CM-SP9, and 5/8" flange nut. Thread them through the inside of the sideplate flanges into the crossarms. **(Finger tight only!)**



**Installation steps continued on page 3**

PERIODICALLY CHECK THIS GOOSENECK HITCH TO ENSURE THAT ALL FASTENERS ARE TIGHT AND THAT ALL STRUCTURAL COMPONENTS ARE SOUND.

Curt Manufacturing Inc., warrants this product to be free of defects in material and/or workmanship at the time of retail purchase by the original purchaser. If the product is found to be defective, Curt Manufacturing Inc., may repair or replace the product, at their option, when the product is returned, prepaid, with proof of purchase. Alteration to, misuse of, or improper installation of this product voids the warranty. Curt Manufacturing Inc.'s liability is limited to repair or replacement of products found to be defective, and specifically excludes liability for incidental or consequential loss or damage.

**\*\*DO NOT EXCEED RECOMMENDED VEHICLE TOWING WEIGHT!\*\***

**60648 SUBKIT** 99-07, CHEVY / GMC 1500 & 2500LD SILVERADO / SIERRA CLASSIC BODY ONLY - ALL BEDS  
01-10, CHEVY / GMC 2500HD & 3500 SILVERADO / SIERRA CLASSIC & NEW BODY - ALL BEDS

**PAGE 3 OF 5**

**WARNING!!** BRAKE, FUEL, AND ELECTRICAL LINES MAY NEED TO BE LOOSENEED OR REPOSITIONED TO PROVIDE CLEARANCE FOR NEW HARDWARE. SOME MODELS MAY REQUIRE MODIFICATION OR REMOVAL OF HEAT SHIELDS. ON SHORT BED MODELS, CHECK FOR ADEQUATE TURNING CLEARANCE BETWEEN THE FRONT OF ALL TRAILERS AND THE TRUCK CAB. ON TWO WHEEL DRIVE TRUCKS A CLEARANCE CHECK MUST BE PERFORMED WHEN TRUCK IS LOADED AND UNLOADED TO VERIFY THE INVERTED BALL WILL NOT INTERFERE WITH THE TOP OF THE DIFFERENTIAL

### Installation steps continued

- 7) Attach the sideplates to the frame of the truck using a U-bolt and 3/4" hex bolt. **For 3/4 and 1 ton applications**, use the large U-bolt in order to span the truck frame. The smaller U-bolt is used for **1/2 ton and 3/4 ton light duty trucks**. Position the U-bolt from the inside of the truck frame, make sure not to damage or pinch the wiring harness or brake lines. Attach to the sideplate using two 1/2" flange nuts. **(Finger tight only)** Attach the rear section of the sideplate to the frame using a 3/4" hex bolt and 3/4" washer through the sideplate and frame. Finger tighten a 3/4" flange nut to the bolt on the inside of the frame. **For 3/4 and 1 ton heavy duty trucks**, use the bottom hole on the sideplate. **For 1/2 ton and 3/4 ton light duty trucks**, use the top hole on the sideplate. These are called out on **Figure A**.
- 8) Torque all 1/2" fasteners to 110 lb-ft, 5/8" fasteners to 210 lb-ft, and all 3/4" fasteners to 380 lb-ft in the following order:
- First:** Torque the center section to the front and rear crossarms.
- Second:** Torque the sideplates to the truck frame on both sides. **(When torquing the U-bolts, make sure to tighten them slowly alternating between the top and bottom of the U-bolt until equally tightened to a maximum of 40 ft-lbs.)**
- Third:** Torque the sideplate flanges to the front and rear crossarms.
- 9) If desired, trim the sideplate u-bolts to provide additional handle rod clearance upon installation completion.

**(REFER TO 60619 GOOSENECK HITCH INSTRUCTIONS FOR INSTALLATION COMPLETION AND OPERATING PROCEDURES)**

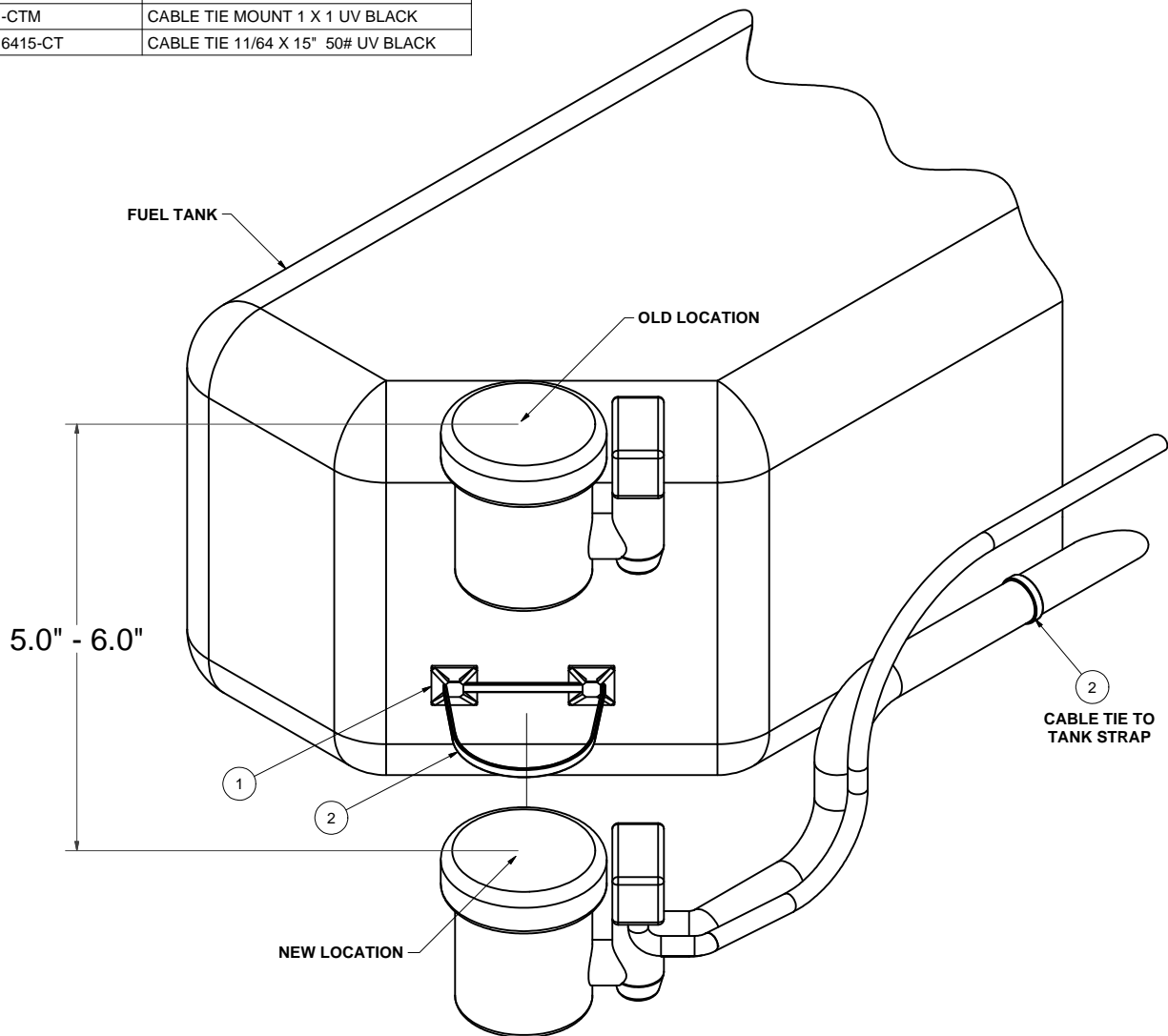
PERIODICALLY CHECK THIS GOOSENECK HITCH TO ENSURE THAT ALL FASTENERS ARE TIGHT AND THAT ALL STRUCTURAL COMPONENTS ARE SOUND.

Curt Manufacturing Inc., warrants this product to be free of defects in material and/or workmanship at the time of retail purchase by the original purchaser. If the product is found to be defective, Curt Manufacturing Inc., may repair or replace the product, at their option, when the product is returned, prepaid, with proof of purchase. Alteration to, misuse of, or improper installation of this product voids the warranty. Curt Manufacturing Inc.'s liability is limited to repair or replacement of products found to be defective, and specifically excludes liability for incidental or consequential loss or damage.

# VACUUM CANISTER RELOCATION

PAGE 4 OF 5

Parts List		
ITEM	PART NUMBER	DESCRIPTION
1	CM-11-CTM	CABLE TIE MOUNT 1 X 1 UV BLACK
2	CM-116415-CT	CABLE TIE 11/64 X 15" 50# UV BLACK



## INSTALLATION STEPS

- 1) Remove vacuum canister from OEM mount.
- 2) Clean surface with rubbing alcohol.
- 3) Apply (2) cable tie mounts approximately 3" apart and 5"-6" lower than original location as shown.
- 4) Insert cable tie into mounts. Do Not Fasten.
- 5) Position vacuum canister over cable tie and fasten in new location.

**PERIODICALLY CHECK THIS RECEIVER HITCH TO ENSURE THAT ALL FASTENERS ARE TIGHT AND THAT ALL STRUCTURAL COMPONENTS ARE SOUND**

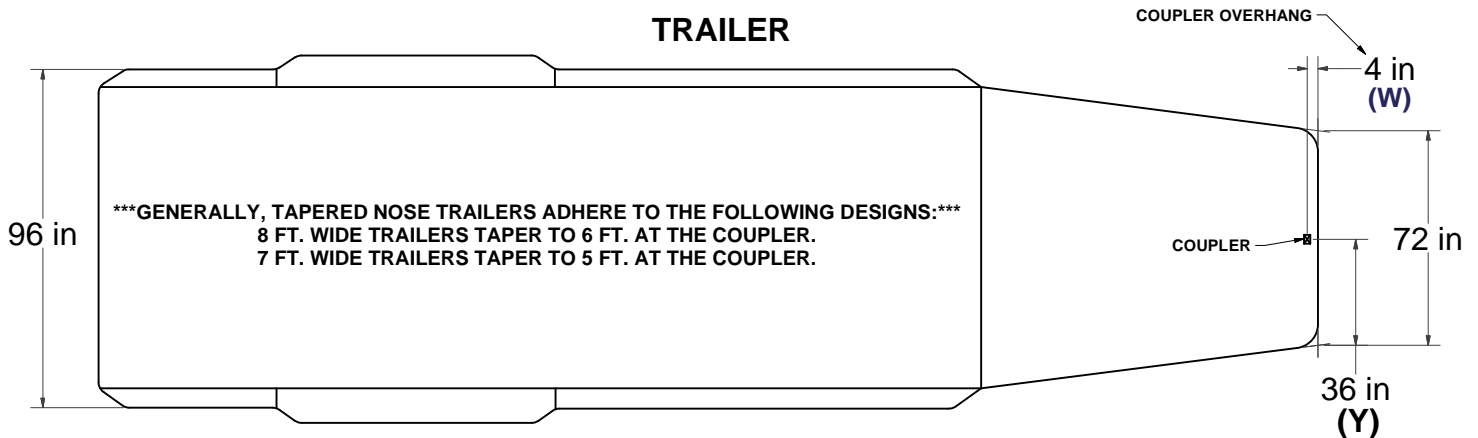
Curt Manufacturing Inc., warrants this product to be free of defects in material and/or workmanship at the time of retail purchase by the original purchaser. If the product is found to be defective, Curt Manufacturing Inc., may repair or replace the product, at their option, when the product is returned, prepaid, with proof of purchase. Alteration to, misuse of, or improper installation of this product voids the warranty. Curt Manufacturing Inc.'s liability is limited to repair or replacement of products found to be defective, and specifically excludes liability for incidental or consequential loss or damage.

# CAB TO TRAILER CLEARANCE

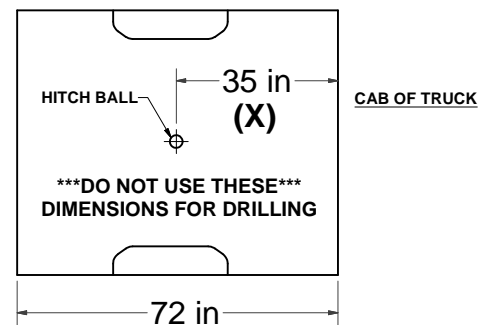
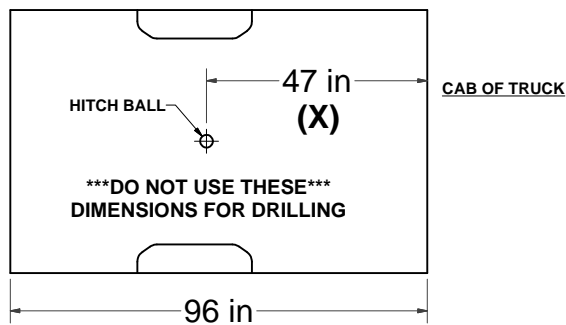
**\*\*DO NOT EXCEED VEHICLE MANUFACTURER'S RECOMMENDED TOWING CAPACITY\*\***

**\*\*REMOVAL OF REAR WINDOW ACCESSORIES MAY BE REQUIRED\*\***

## TRAILER



## LONG & SHORT TRUCK BEDS



## **\*\*WARNING REFERENCE CLEARANCE CALCULATOR BEFORE TOWING\*\***

### CLEARANCE CALCULATION

$$\begin{matrix} \text{(CAB TO BALL CENTER)} & - & 1/2 \text{ (TRAILER WIDTH)} & = & \text{(MINIMUM CLEARANCE)} \\ \text{(X)} & - & \text{(Y)} & = & \text{(Z)} \end{matrix}$$

IF THERE IS AN OVERHANG FROM THE COUPLER THEN THE EQUATION IS:

$$[(X) - (W)] - (Y) = (Z)$$

**\*\*\*IF (Z) IS POSITIVE, TRAILER WILL NOT INTERFERE WITH CAB OF TRUCK.\*\*\*  
**IF (Z) IS NEGATIVE, TRAILER WILL INTERFERE WITH CAB OF TRUCK!!!****

#### EXAMPLE:

##### STANDARD TRAILER

$$\begin{aligned} X - Y &= Z \\ 35 - 36 &= -1 \\ \text{(TRAILER WILL INTERFERE WITH CAB)} \end{aligned}$$

##### TRAILER WITH OVERHANG

$$\begin{aligned} [(X) - (W)] - Y &= Z \\ [35 - 4] - 36 &= -5 \\ \text{(TRAILER WILL INTERFERE WITH CAB)} \end{aligned}$$

#### YOUR CALCULATION:

$$\begin{aligned} \text{(CAB TO BALL CENTER)} & \quad \underline{\hspace{2cm}} \\ \text{(COUPLER OVERHANG)} & \quad \underline{\hspace{2cm}} \\ 1/2 \text{ (TRAILER WIDTH)} & \quad \underline{\hspace{2cm}} \\ \text{(MINIMUM CLEARANCE)} & \quad \underline{\hspace{2cm}} \end{aligned}$$

Curt Manufacturing Inc., warrants this product to be free of defects in material and/or workmanship at the time of retail purchase by the original purchaser. If the product is found to be defective, Curt Manufacturing Inc., may repair or replace the product, at their option, when the product is returned, prepaid, with proof of purchase. Alteration to, misuse of, or improper installation of this product voids the warranty. Curt Manufacturing Inc.'s liability is limited to repair or replacement of products found to be defective, and specifically excludes liability for incidental or consequential loss or damage.