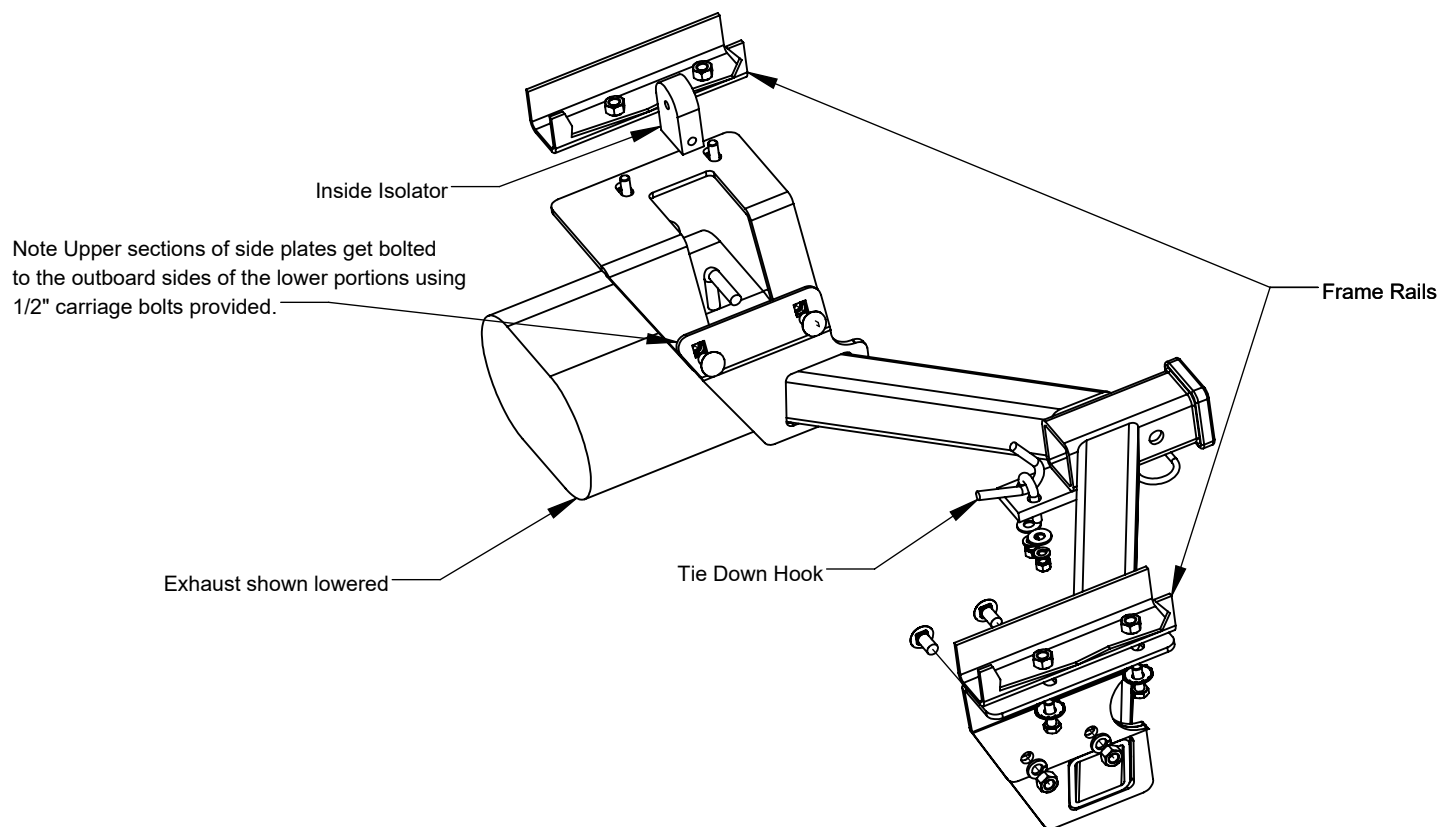


CLASS 3 TRAILER HITCH
R3-0382
Honda CR-V

TOOLS REQUIRED:
DRILLS: None
WRENCHES: 14mm, 9/16"

HITCH RATING: 3,500 LBS WEIGHT CARRYING, 525 LBS TONGUE WEIGHT. DO NOT USE WEIGHT DISTRIBUTING.
WARNING: CONSULT VEHICLE OWNERS MANUAL FOR TOWING RECOMMENDATIONS. DO NOT EXCEED VEHICLE'S RECOMMENDED TOWING CAPACITY. THIS PRODUCT IS DESIGNED FOR TRAILER TOWING ONLY AND SHOULD NOT BE USED FOR ANY OTHER PURPOSE.

NOTE: INSTALL PARTS LOOSELY UNTIL ALL ATTACHMENTS HAVE BEEN MADE TO VEHICLE



1. Using the carriage bolts, lock washers, and hex nuts provided assemble the side plates as shown above. Tighten to 60 LB-FT.
2. Lower the exhaust by removing the rubber isolators from the muffler hangers. Remove the outside isolator first then inside isolator. Spray lubricant will ease the removal.
3. Raise the hitch into position and attach with the (4) M10 hex bolts, and 7/16" conical washers provided.
4. Install the 3/8" U bolt through the vehicle tie down hook and through the tie down hook attachment of the receiver. Install flat washers, lock washers and 3/8" hex nuts provided.
5. Tighten M10 hex bolts to 38 LB-FT. Tighten 3/8" hex nuts to 25 LB-FT
6. Raise the exhaust back into position and reinstall the rubber isolators removed in step 2. Note: Install the inside rubber isolator first.

THIS HITCH NOT INTENDED FOR USE WITH SPRING BARS

Hardware Package:

- | | |
|--------------------------------|---------------------------------|
| (4) 1/2-13 x 1" Carriage Bolts | (2) 3/8" Lock Washers |
| (4) 1/2" Lock Washers | (2) 3/8" Hex Nuts |
| (4) 1/2" Hex Nuts | (4) M10 x 1.25 x 30mm Hex Bolts |
| (1) 3/8-16 U Bolt | (4) 7/16" Conical Washers |
| (2) 3/8" Flat Washers | |

GIVE THIS INSTRUCTION SHEET TO VEHICLE OWNER



THIS PRODUCT COMPLIES WITH SAFETY SPECIFICATIONS AND REQUIREMENTS FOR SAE AND VESC REGULATION V-5 FOR CONNECTING DEVICES AND TOWING SYSTEMS. DO NOT MODIFY THIS PRODUCT. INSTALL ONLY ON SPECIFIED VEHICLES IN GOOD CONDITION.

RIGID[®]
HITCH INCORPORATED
3301 WEST BURNSVILLE PARKWAY
BURNSVILLE, MN 55337

REV.
7/17