

## CLASS 3 TRAILER HITCH

**R3-0392**

Toyota Highlander/ Lexus RX 330, 350, 400H

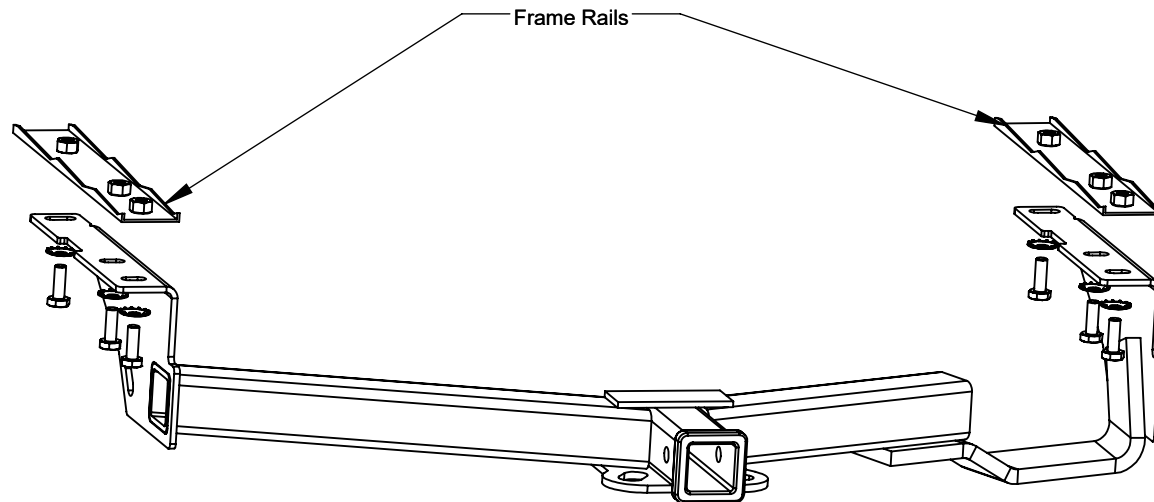
### TOOLS REQUIRED:

SCREW DRIVERS: FLAT and PHILLIPS

WRENCHES: Ratchet, Torque Wrench,  
Socket Extension, 14mm, 17mm

HITCH RATING: 3,500 LBS WEIGHT CARRYING, 350 LBS TONGUE WEIGHT / 4,000 LBS WEIGHT DISTRIBUTING, 400 LBS TONGUE WEIGHT.  
WARNING: CONSULT VEHICLE OWNERS MANUAL FOR TOWING RECOMMENDATIONS. DO NOT EXCEED VEHICLE'S RECOMMENDED TOWING CAPACITY. THIS PRODUCT IS DESIGNED FOR TRAILER TOWING ONLY AND SHOULD NOT BE USED FOR ANY OTHER PURPOSE.

NOTE: INSTALL PARTS LOOSELY UNTIL ALL ATTACHMENTS HAVE BEEN MADE TO VEHICLE



1. Remove the tow hooks from each frame rail and any rubber plugs that may be inserted in the bottom of the frame rails. Return tow hooks hardware and rubber plugs to the vehicle owner.
2. Raise the hitch into position and secure by threading the six M10 hex bolts and conical washers provided into the existing weld nuts in the frame rails (three per side). Torque all fasteners to 38 LB-FT

**Thank you for purchasing a Rigid Hitch**

### Hardware Package:

(6) M10 1.25 x 30mm hex bolts      (6) 3/8" conical washers

**GIVE THIS INSTRUCTION SHEET TO VEHICLE OWNER**



THIS PRODUCT COMPLIES WITH SAFETY SPECIFICATIONS AND REQUIREMENTS FOR SAE AND VESC REGULATION V-5 FOR CONNECTING DEVICES AND TOWING SYSTEMS. DO NOT MODIFY THIS PRODUCT. INSTALL ONLY ON SPECIFIED VEHICLES IN GOOD CONDITION.

**RIGID**<sup>®</sup>  
**HITCH INCORPORATED**  
3301 WEST BURNSVILLE PARKWAY  
BURNSVILLE, MN 55337

REV.  
7/17