

# CLASS III TRAILER HITCH

## R3-0522

Subaru Forester

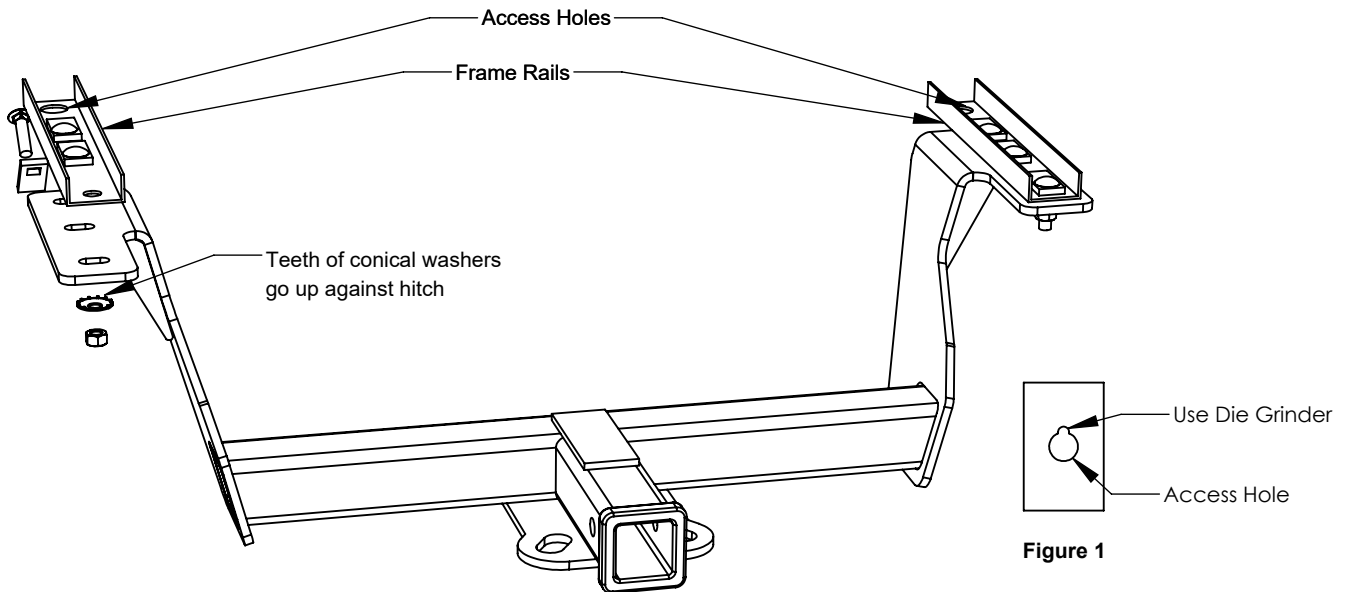
### TOOLS REQUIRED:

DRILLS: 1/2"

WRENCHES: Ratchet, Torque Wrench, Socket Extension, 11/16", 10mm, Die Grinder

**HITCH RATING: 3,500 LBS WEIGHT CARRYING, 350 LBS TONGUE WEIGHT / 4,000 LBS WEIGHT DISTRIBUTING, 400 LBS TONGUE WEIGHT. WARNING: CONSULT VEHICLE OWNERS MANUAL FOR TOWING RECOMMENDATIONS. DO NOT EXCEED VEHICLE'S RECOMMENDED TOWING CAPACITY. THIS PRODUCT IS DESIGNED FOR TRAILER TOWING ONLY AND SHOULD NOT BE USED FOR ANY OTHER PURPOSE.**

NOTE: INSTALL PARTS LOOSELY UNTIL ALL ATTACHMENTS HAVE BEEN MADE TO VEHICLE



1. Lower the exhaust by disconnecting the rubber isolators (2) on the canister(s) and (1) forward of the rear axle. Note: Support exhaust to prevent damaging vehicle.
2. Remove the heat shield(s) by removing the four heat shield screws. Retain shield(s) and screws for reinstallation.
3. If present, remove the appearance panel from the driver's side frame rail by removing the (2) 10mm screws and (5) plastic push pins. The appearance panel can be reinstalled after the hitch has been installed.
4. Locate the four large holes in each frame rail and remove the rubber plugs from the holes. The three rearward holes on each side will be used to mount the hitch and the forward hole will be used as an access hole to feed hardware into the frame.
5. Using a die grinder or drill, enlarge the forward access holes in the frame as shown in Figure 1. Thread a carriage bolt and block plate on to a fish wire and insert them through the access hole and into the rearmost mounting hole on each frame rail.
6. Reinstall the heat shield(s) using three of the four mounting screws removed in Step 2. Do not reinstall the rearmost fastener on the heat shield(s). Note: Heat shield(s) will be sandwiched between the hitch and frame rail(s).
7. Thread the fish wires through the rear mounting holes in the hitch and raise the hitch into position. Using care not to push the carriage bolts back up into the frame remove the fish wires and loosely install the hitch using the conical washers and hex nuts provided. Using the hitch as a template, drill 1/2" holes in the heat shield(s) for the remaining fasteners. Insert the remaining four carriage bolts and block plates as in Step 5. Torque all fasteners to 50 LB-FT.
8. Raise the exhaust back up into position and reattach the rubber isolators disconnected in Step 1. Reinstall the rubber plugs removed in Step 4 into the forward holes in the frame rails.
9. Reinstall the appearance panel removed in Step 3.

**Thank you for purchasing a Rigid Hitch**

### Hardware Package:

(6) 7/16-14 x 1-3/4" Carriage Bolts

(6) 1/4 x 1 x 2" Offset Sq. Hole Block Plates

(6) 7/16" Conical Washers

(6) 7/16-14 Hex Nuts

(6) 7/16" Fish Wires

**GIVE THIS INSTRUCTION SHEET TO VEHICLE OWNER**



THIS PRODUCT COMPLIES WITH SAFETY SPECIFICATIONS AND REQUIREMENTS FOR SAE AND VESC REGULATION V-5 FOR CONNECTING DEVICES AND TOWING SYSTEMS. DO NOT MODIFY THIS PRODUCT. INSTALL ONLY ON SPECIFIED VEHICLES IN GOOD CONDITION.

**RIGID**<sup>®</sup>  
**HITCH INCORPORATED**  
3301 WEST BURNSVILLE PARKWAY  
BURNSVILLE, MN 55337

REV.  
4/19